

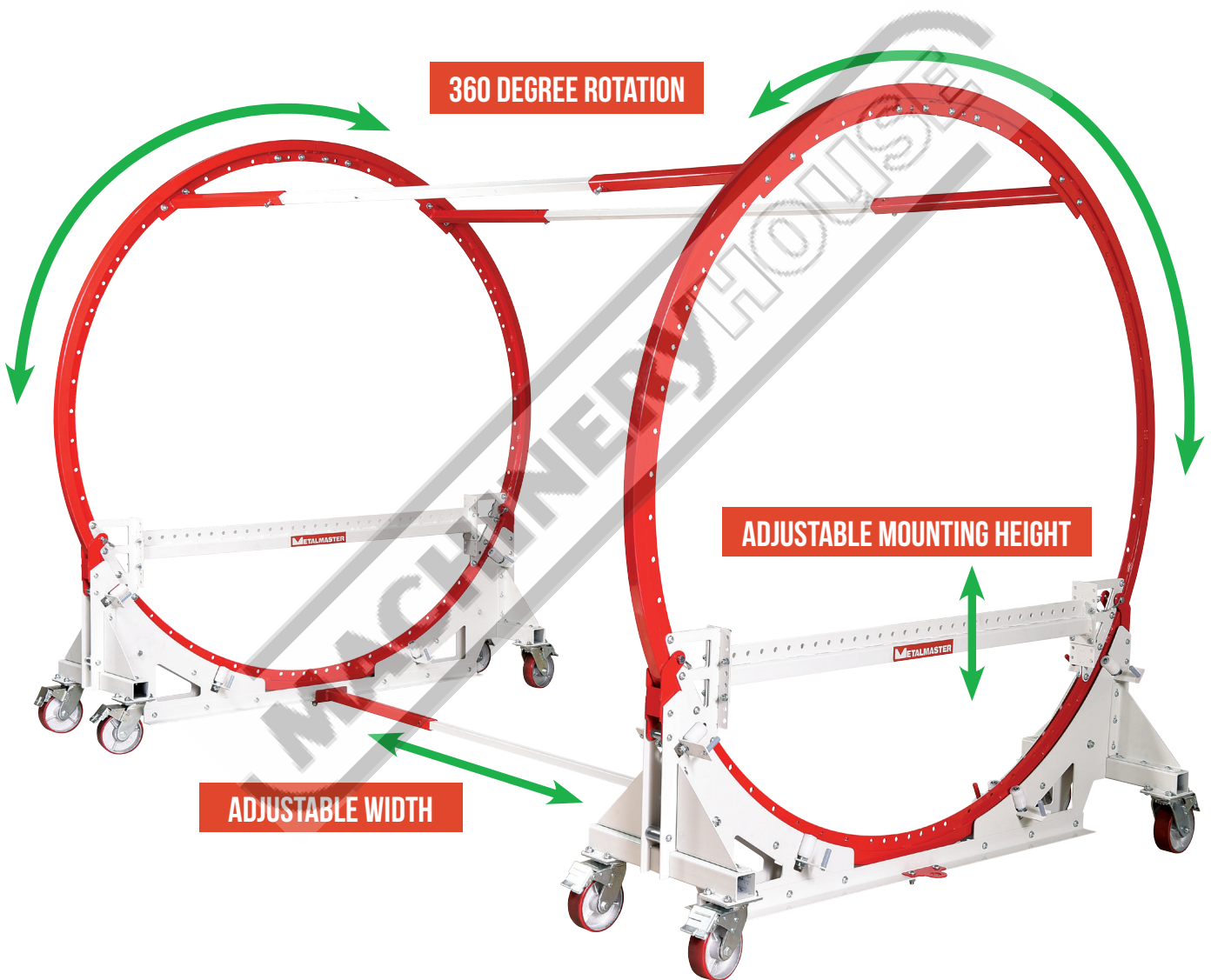
# INSTRUCTION MANUAL

## ROT8A-360 ROTISSERIE

WLL: 1500KG CAPACITY

Create it with

**METALMASTER**



**ORDER CODE: A330**

DATE OF ISSUE : 11/2023

**HARE & FORBES** **MACHINERYHOUSE**

SYDNEY BRISBANE MELBOURNE PERTH  
[www.machineryhouse.com.au](http://www.machineryhouse.com.au)

**MACHINERYHOUSE**

AUCKLAND CHRISTCHURCH  
[www.machineryhouse.co.nz](http://www.machineryhouse.co.nz)

# TABLE OF CONTENTS

• IMPORTANT INFORMATION.....	p1
• OWNER RESPONSIBILITIES .....	p2
• SAFETY PROCEDURES .....	p2
• GENERAL FEATURES.....	p2
• MODULAR DESIGN - CONFIGURATIONS .....	p15
• ROTATION SPECIFICATION.....	p4
• LOAD RATING - BALANCING OPERATION.....	p5
• PARTS LIST.....	p6
• ASSEMBLY INSTRUCTIONS .....	p7-25
• ROTATING 360 DEGREES .....	p26
• STORING ROTISSERIE.....	p27
• RISK ASSESSMENT .....	p28-30

## IMPORTANT INFORMATION

Please check all parts are supplied and not damaged before installation.

Be aware that some components of the Rotisserie are heavy and may require extra help or lifting equipment in the assembly process.

Please read & understand this Instruction Manual & Risk Assessment before operating the Rotisserie.

This Rotisserie is designed to for the automotive industry to help restoring vehicle bodies. It can however be used in many other industries. The Rotisserie is not to be used in conjunction with any other equipment.

All vehicles or objects attached to the Rotisserie are to be secured properly to the Cross Brace Mount and must not exceed the manufactures specifications and load capacities 750kg per side with a Total load capacity of 1500kg across both sides of the Rotisserie. The owner takes full responsibility for attaching vehicles, personal injury, or alteration of the equipment described in this manual or any subsequent damages.

We take no responsibility in how you attached any object to the rotisserie. Mounting Points must not be any less than 400mm apart as it will put too much load in the centre cross brace and exceed the recommended Capacity. Proper care and handling must be taken to prevent serious injury from occurring. Always seek professional help when mounting the vehicle or any abject to the Rotisserie. This is the full responsibility of the owner.

# OWNER RESPONSIBILITIES

- Shall establish procedures to periodically maintain, inspect, and care for the Rotisserie in accordance with manufactures recommendations to ensure its continued safe operations.
- Shall always ensure lock braces & pins are locked in place at all times apart from rotating.
- Shall always ensure all wheels are locked at all times apart from moving the Rotisserie.
- Shall always ensure all slider spacer bars are locked in place when rotating/moving Rotisserie.
- Only use on a flat level ground when using the Rotisserie.
- Shall not modify Rotisserie in any manner without prior written consent of the manufacturer.
- Shall insure objects attached to the Rotisserie are done in a safe and correct manner.

# SAFETY PROCEDURES

Total Rotisserie capacity is 1500kg (750kg each Side). Do not exceed maximum weight capacity. Mounting points must not be any less than 400mm apart as it will put too much load in the centre cross brace and exceed the recommended capacity. Serious injury can occur.

Prior to using with Rotisserie, inspect and check for any objects that might interfere with the operation of unit such as: tools, air hoses, shop equipment, etc.

Make sure to properly secure & balance vehicles center of gravity before using the rotisserie. Always seek professional help when mounting the vehicle to the Rotisserie. Make sure the mounting points are strong enough for full rotation of the vehicle. We take no responsibility for attaching & securing vehicles to the rotisserie, this is the full responsibility of the owner. Always ensure all wheels are braked, safety lock pins & slider bars are locked in place at all times.

# GENERAL FEATURES

The Metalmaster ROT8A-360 Rotisserie is a game-changer, in our eyes, it's the ultimate in automotive body repair. The innovative design allows you to perform all your body repair work and spray painting in one convenient mounting frame. The unique design allows you to not only rotate a full 360 degrees, while providing easy access to all the hard to get at spots of your vehicle, but the brilliance in the modular design is the removable segments giving you the ability to move the whole assembly through a low clearance opening such as domestic garage doors.

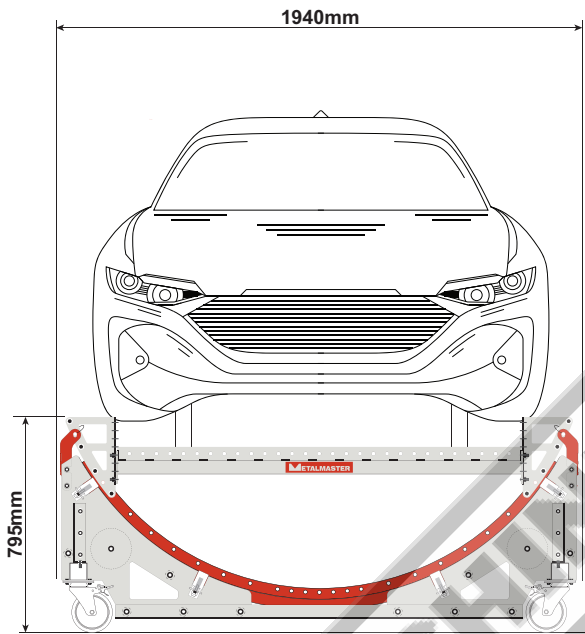
The Metalmaster ROT8A-360 with its easy-to-use features make repairs easier and more efficient than ever before. making it a must-have for any car enthusiast or mechanic looking to make their restoration project a success.

- Designed & developed in Australia with leading automotive craftsmen.
- Modular design to suit low clearance openings such as most standard garage doors.
- Indexable rotation with locking points every 6 degrees of rotation.
- Space saving design with no overhang past chassis once mounted.
- Heavy duty Ø150mm castor wheels with brakes for easy movement.
- Adjustable cross beam to assist with load balancing for easy & safe rotation.
- Lifting & tie down points for moving / loading & unloading.
- Easy pack away design.

# MODULAR DESIGN - CONFIGURATIONS

## CONFIGURATION 1

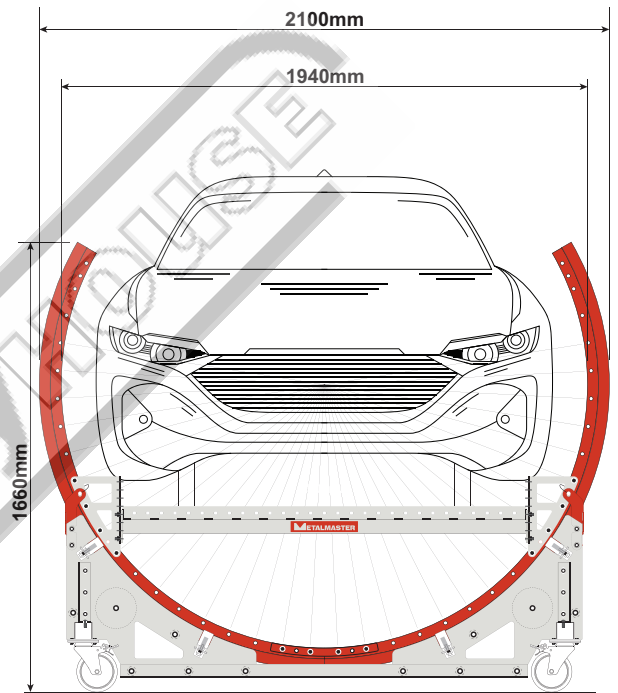
**CONFIGURATION 1** provides the best access to vehicle without the Top 2 Ring Sections in the way while carrying out maintenance or while spray painting. NOTE: With only the bottom Ring Section in place no rotation is achievable. Only when attaching the Top 2 Ring Sections, 360 degrees of rotation is achievable.



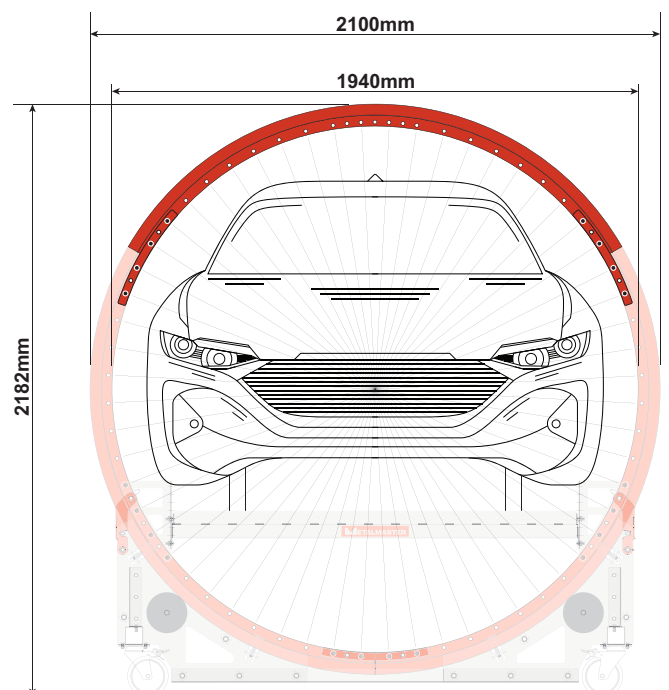
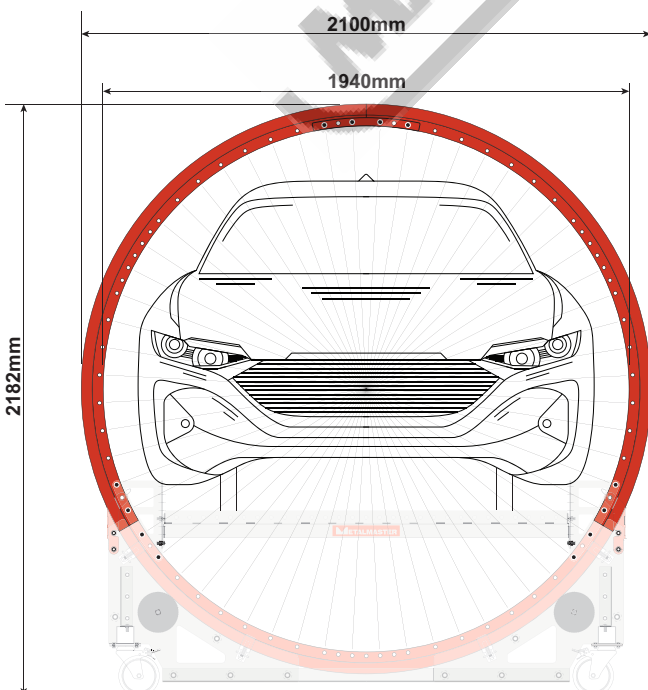
**BEST ACCESS**

## CONFIGURATION 2

**CONFIGURATION 2** provides the best access for low ceiling height areas. NOTE: with only 2 Ring Sections in place, 33 degrees of rotation is achievable either side. Only when attaching the Top Ring Section, 360 degrees of rotation is achievable.

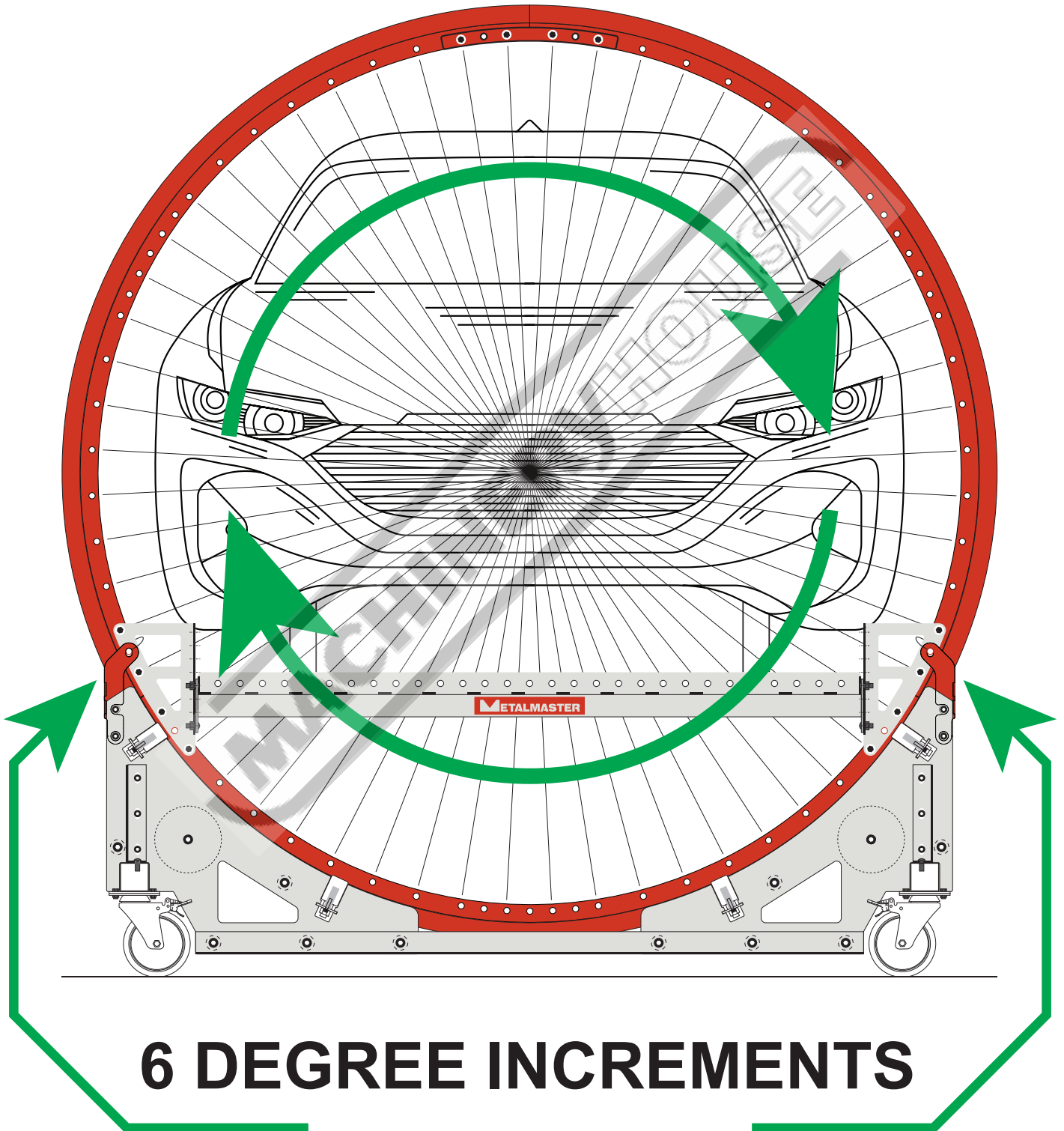


**LOW ROOF HEIGHT**



# ROTATION SPECIFICATION

# 360° ROTATION



Quick Release - Lock Pin Design

# LOAD RATING

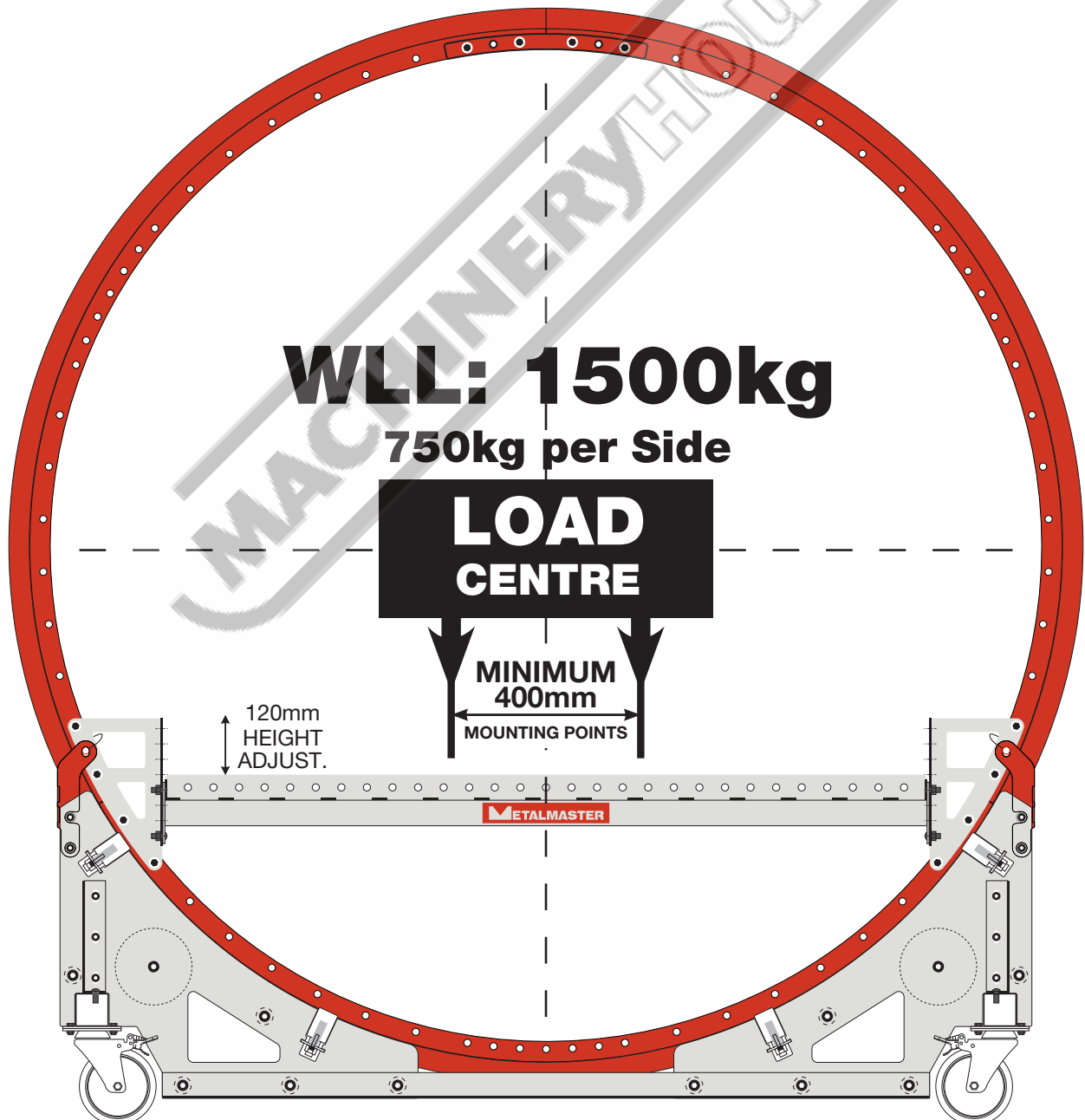
**WLL = 1500kg (750kg per side)**

Do not exceed the maximum load capacity. Each side is rated to 750kg for a total maximum load capacity of 1500kg across both sides. Mounting points must not be any less than 400mm apart as it will put too much load in the centre of the cross brace and exceed the recommended capacity.

# BALANCING OPERATION

When Fixing Vehicles to the Cross Support. Proper care must be taken when supporting the chassis and Fixing to the cross support. Make sure the mounting points are strong enough for full rotation of the vehicle. Always seek professional help when mounting the vehicle to the Rotisserie.

Weight must be centered to the ring so when rotating the ring spins freely & is balanced. Take time when mounting any object & always know the true centre weight of the vehicle your fixing to the cross support. Serious injury can occur if weight is not centered to the Ring.



# PARTS LIST

16 x  
M8x25mm  
Screws

112 x  
M10x25mm  
Screws

96 x  
M12x30mm  
Screws

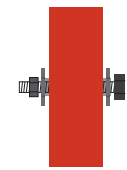
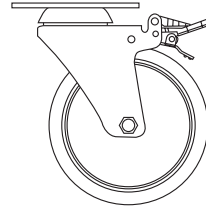
8 x  
Swivel Brake  
Wheels

4 x  
Main Rollers

16 x  
Storage Stops  
Ø16mm x 50mm  
M8 Thread

72 x  
M10 Washers

56 x  
M12 Washers



72 x  
M10 Nylock Nuts

56 x  
M12 Nuts

8 x  
Spacers  
Ø20mm x 64mm  
M10 Thread

20 x  
Spacers  
Ø33mm x 64mm  
M12 Thread



2 x  
Toe Brackets

16 x  
Side Rollers  
Ø40mm x 60mm  
M14 Thread

4 x  
Lock Pins  
Ø12mm Shaft



4 x  
Lock Brace

8 x  
Roller Support Guide  
Storage

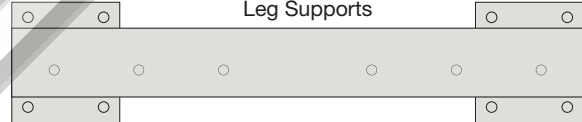
8 x  
Side Plates

4 x  
Angle Braces



8 x  
Leg Support  
Brackets

4 x  
Leg Supports

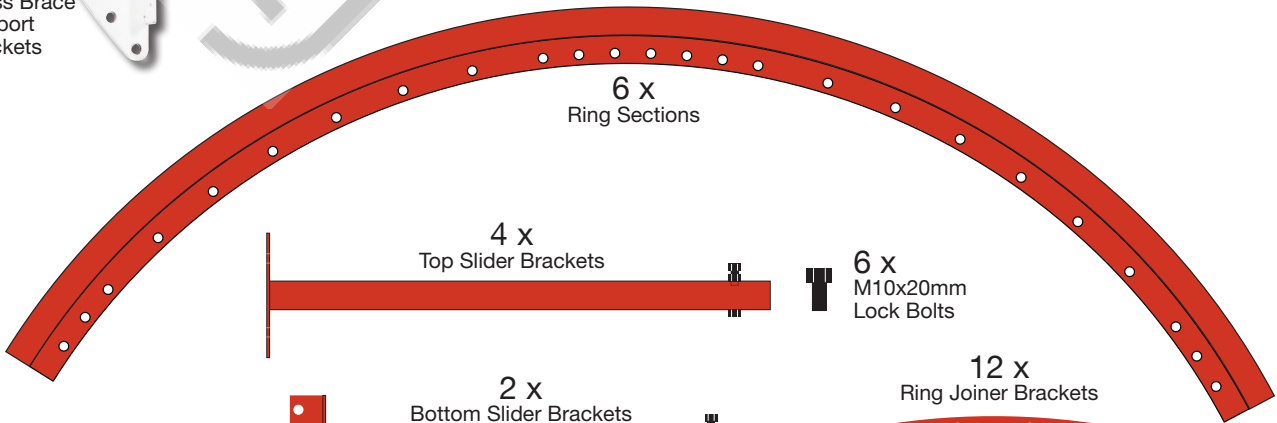


2 x  
Cross Brace  
Mounts

4 x  
Cross Brace  
Support  
Brackets



6 x  
Ring Sections



4 x  
Top Slider  
Brackets

6 x  
M10x20mm  
Lock Bolts

2 x  
Bottom Slider  
Brackets

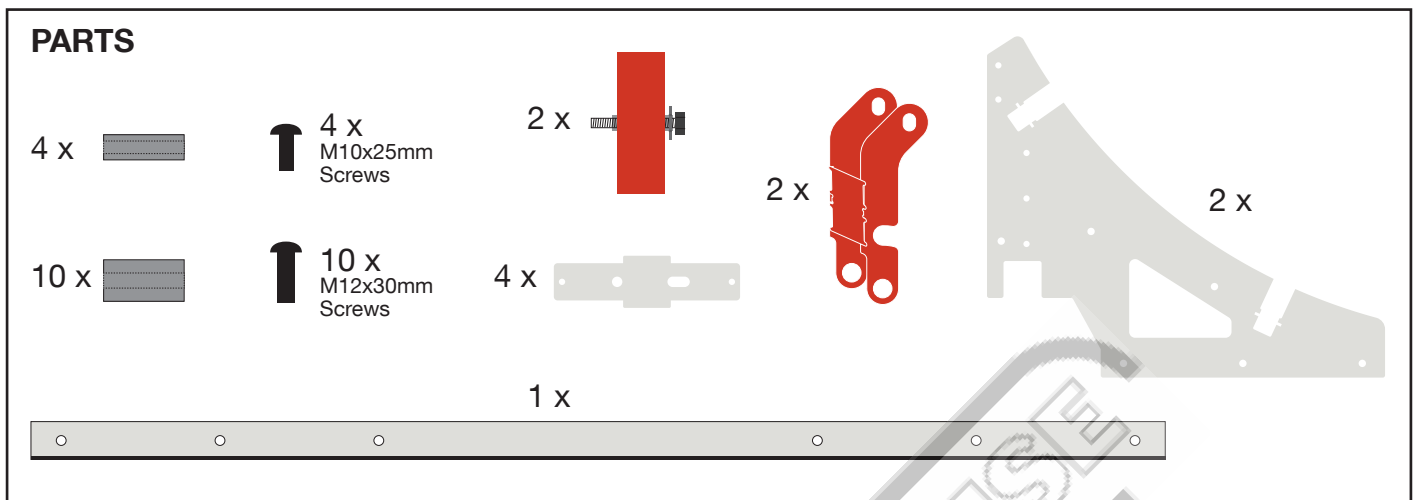
12 x  
Ring Joiner  
Brackets

3 x  
Slider Spacer  
Bars



# ASSEMBLY INSTRUCTIONS

**STEP 1** Assemble the following parts as shown below.

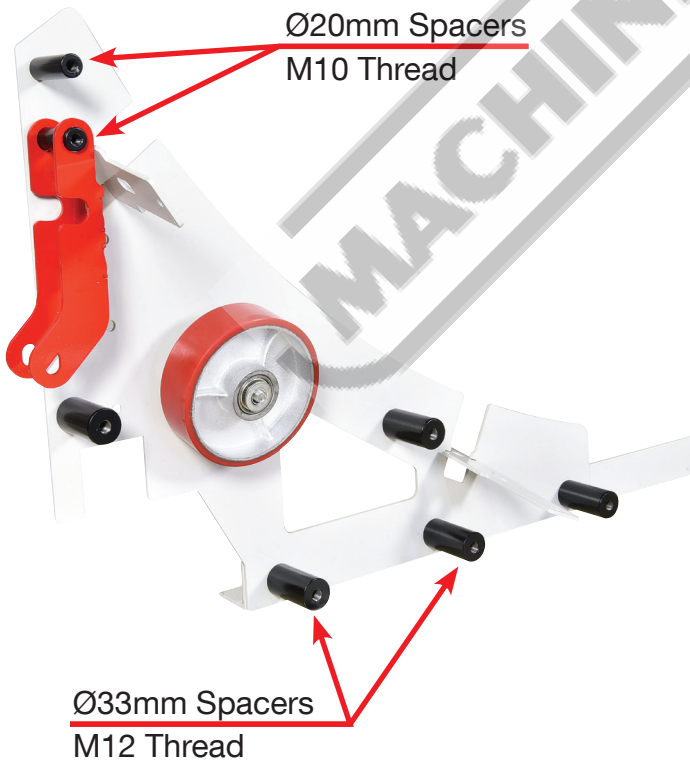


1.1, Install in an upright position as shown in **FIG. 1** left side & **FIG. 2** right side.

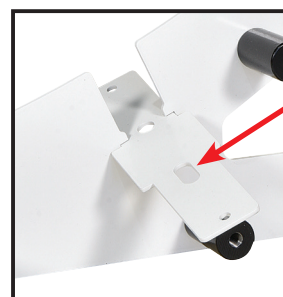
Keeping the Slots to the Roller Support Guides to the front for easy adjustment once installed.

NOTE: Leave all screws loose for now.

**FIG. 1 Left Side**



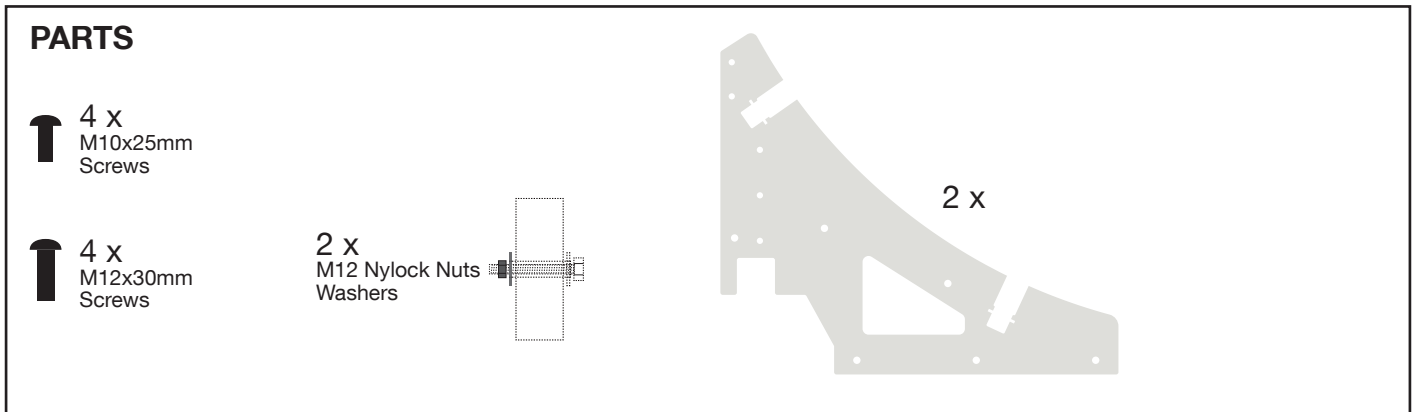
**FIG. 2 Right Side**



NOTE:  
Keep all Slots to Front  
for easy adjustment



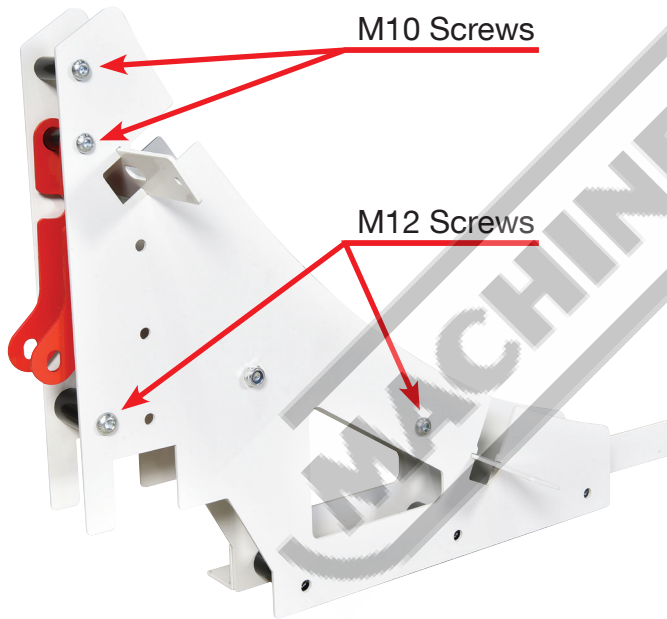
## STEP 2 Assemble the following parts as shown below.



2.1, Install in an upright position as shown in **FIG. 3** left side & **FIG. 4** right side.

NOTE: Leave screws loose for now.

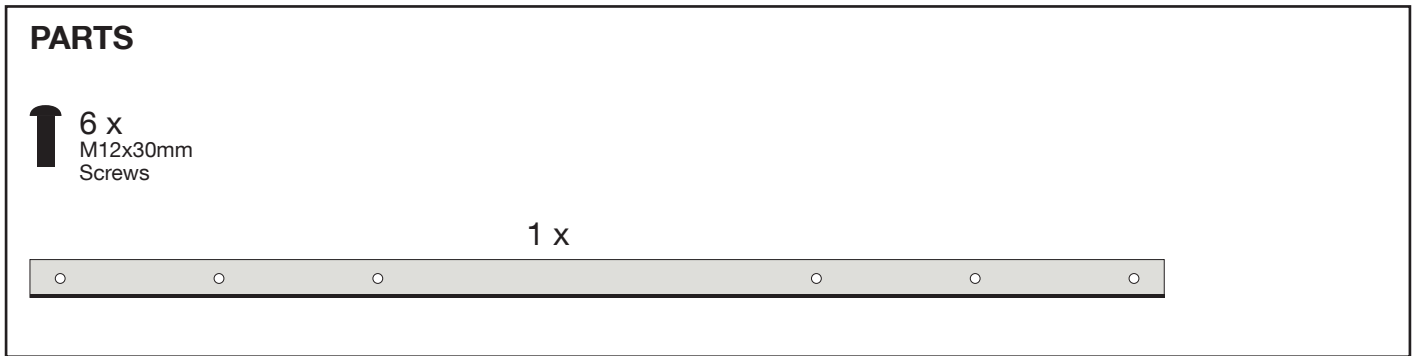
**FIG. 3 Left Side**



**FIG. 4 Right Side**



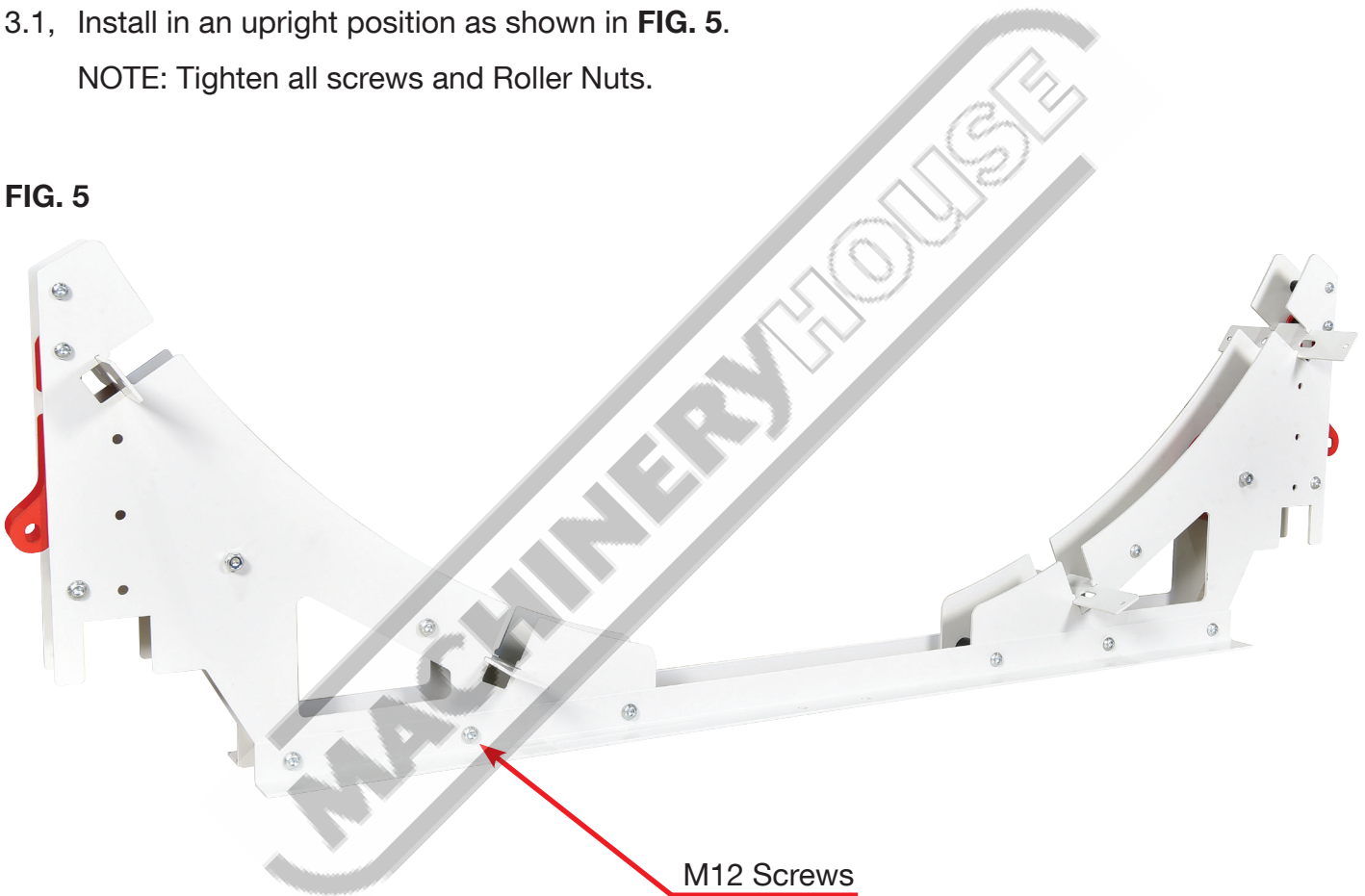
### STEP 3 Assemble the following parts as shown below.



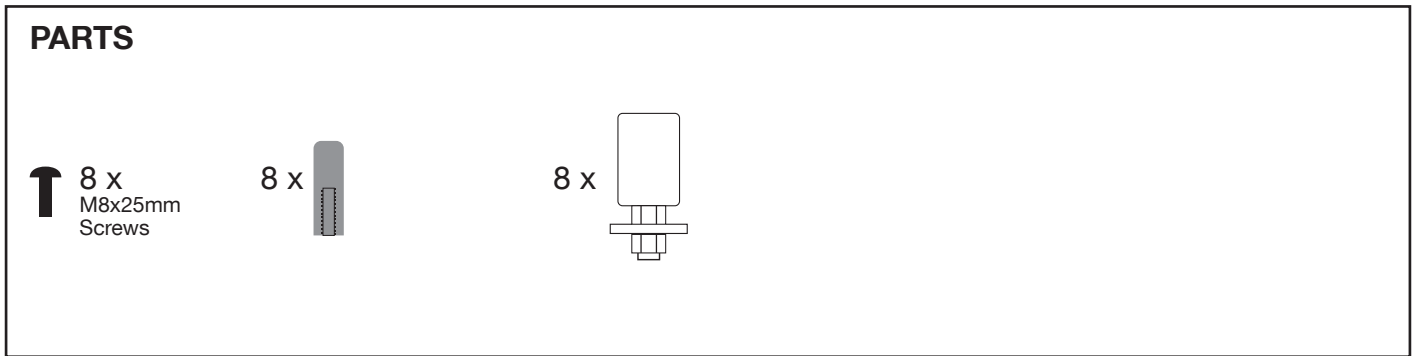
3.1, Install in an upright position as shown in **FIG. 5**.

NOTE: Tighten all screws and Roller Nuts.

**FIG. 5**



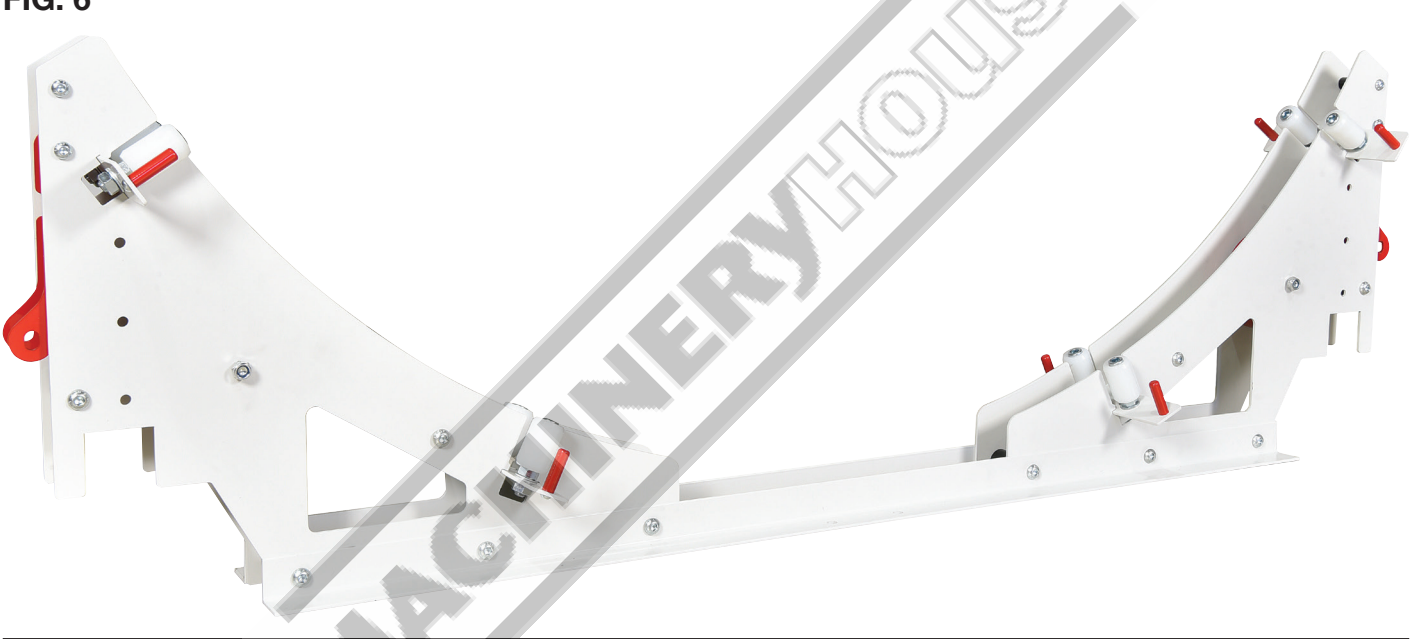
## STEP 4 Assemble the following parts as shown below.



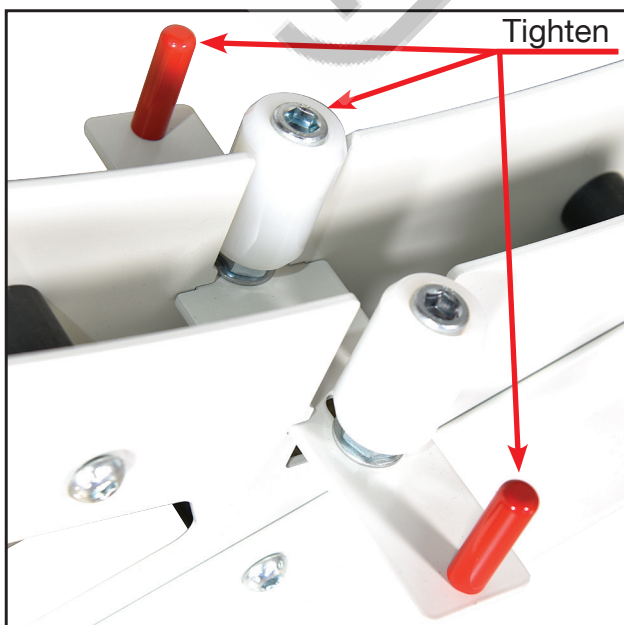
4.1, Install Side Rollers and Storage Stops as shown in **FIG. 6**.

NOTE: Tighten Storage Stops screws and Side Roller in Holes only as shown in **FIG. 7**.  
Leave Side Rollers in Slots loose for now as shown in **FIG. 8**.

**FIG. 6**




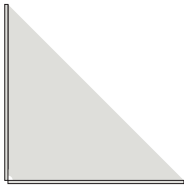


**FIG. 7**



**FIG. 8**



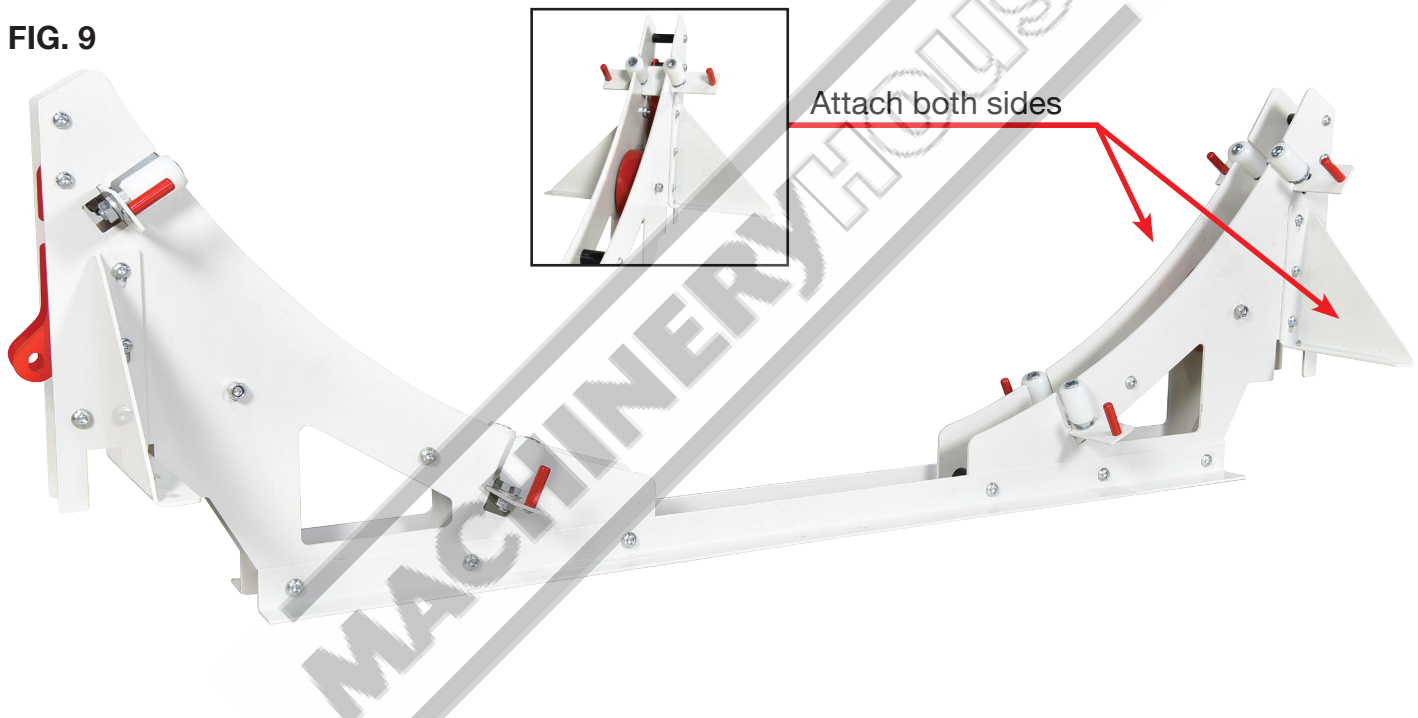
## STEP 5 Assemble the following parts as shown below.

PARTS	
 12 x M10x25mm Screws	
 12 x M10 Washers	
 12 x M10 Nylock Nuts	
	4 x

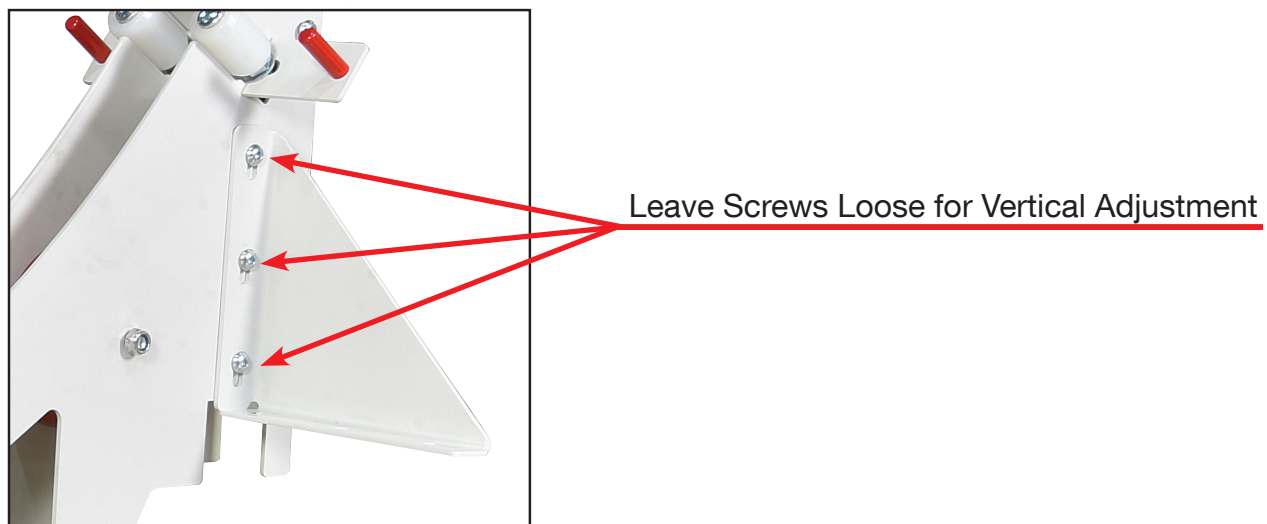
5.1, Install Leg Support Brackets as shown in **FIG. 9**.

NOTE: Leave Screws loose for vertical adjustment as shown in **FIG. 10**.

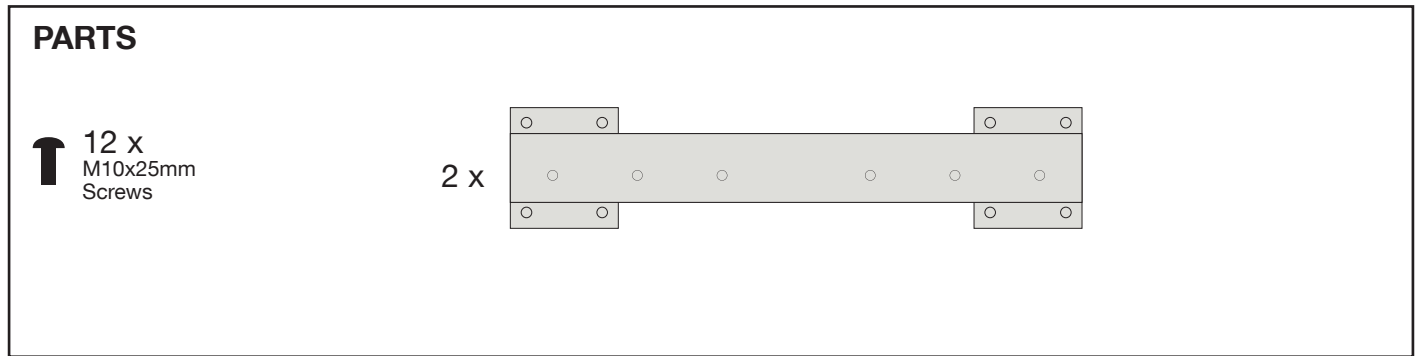
**FIG. 9**



**FIG. 10**



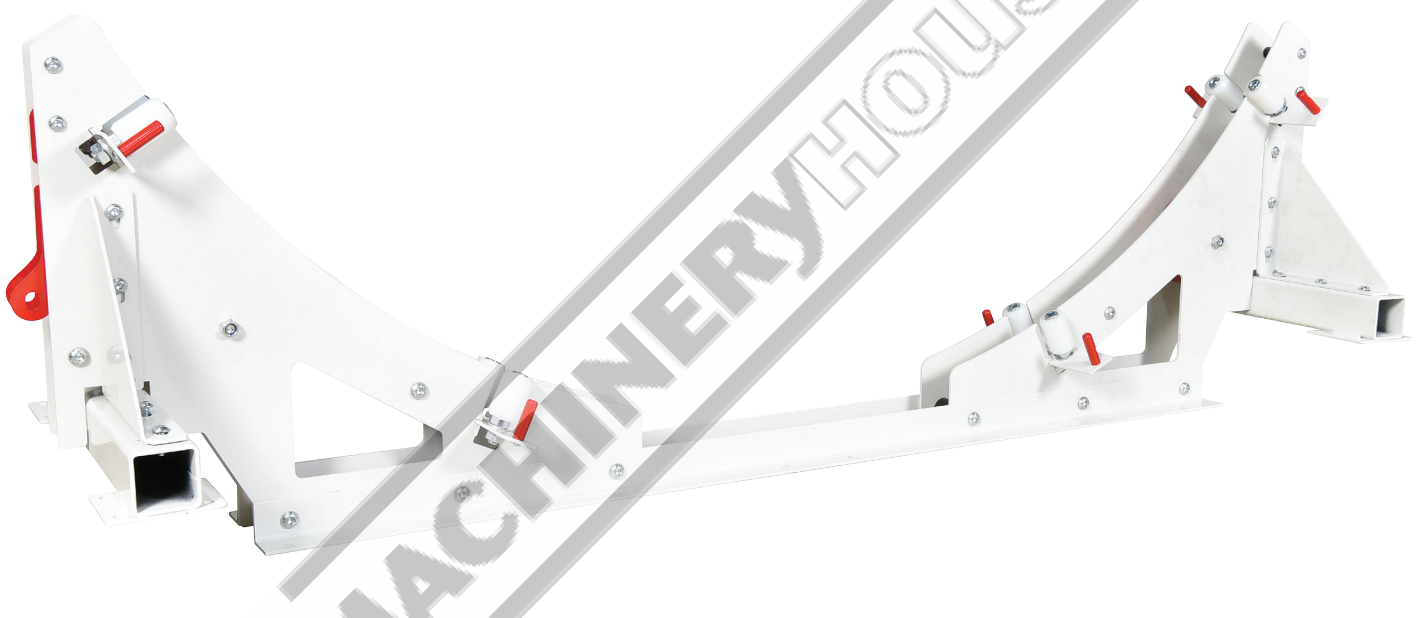
## STEP 6 Assemble the following parts as shown below.



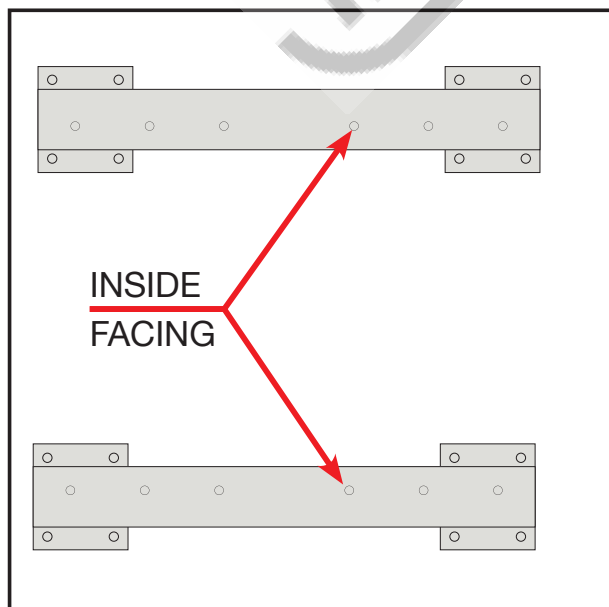
6.1, Install the 2 x Leg Supports as shown in **FIG. 11**  
Keeping in mind the orientation with holes closer to inside as shown in **FIG. 11a**

NOTE: Leave Screws loose for Horizontal adjustment as shown in **FIG. 12**.

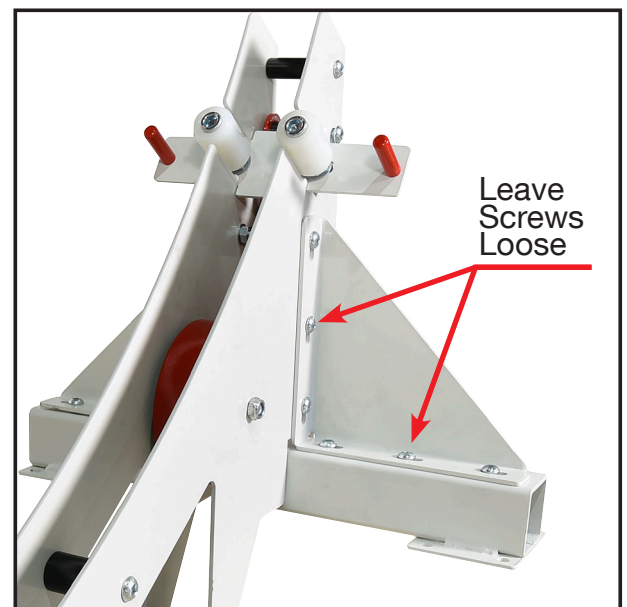
**FIG. 11**




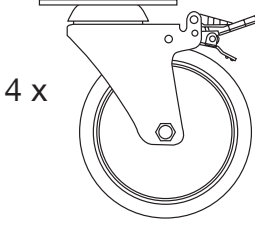


**FIG. 11a**



**FIG. 12**



## STEP 7 Assemble the following parts as shown below.

PARTS	
 16 x M10x25mm Screws	
 16 x M10 Washers	
 16 x M10 Nylock Nuts	

7.7, Install Swivel Brake Wheels and tighten in place as shown in **FIG. 13**.

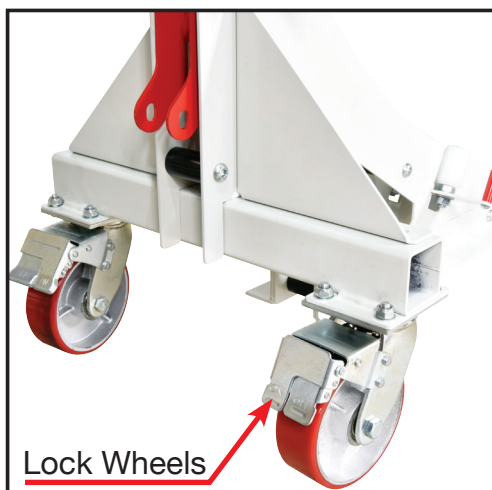
NOTE: Now tighten all Screws on Leg Support Brackets & finally Leg Supports.

7.8, Lock all Brake Wheels for the next assembly process as shown in **FIG. 14**.

**FIG. 13**



**FIG. 14**



## STEP 8 Assemble the following parts as shown below.

### PARTS

↑ 2 x  
M12x30mm  
Screws

○ 2 x  
M12 Washers

⊞ 2 x  
M12 Nuts



8.1, Install Toe Bracket and tighten in place as shown in **FIG. 15**.

**FIG. 15**

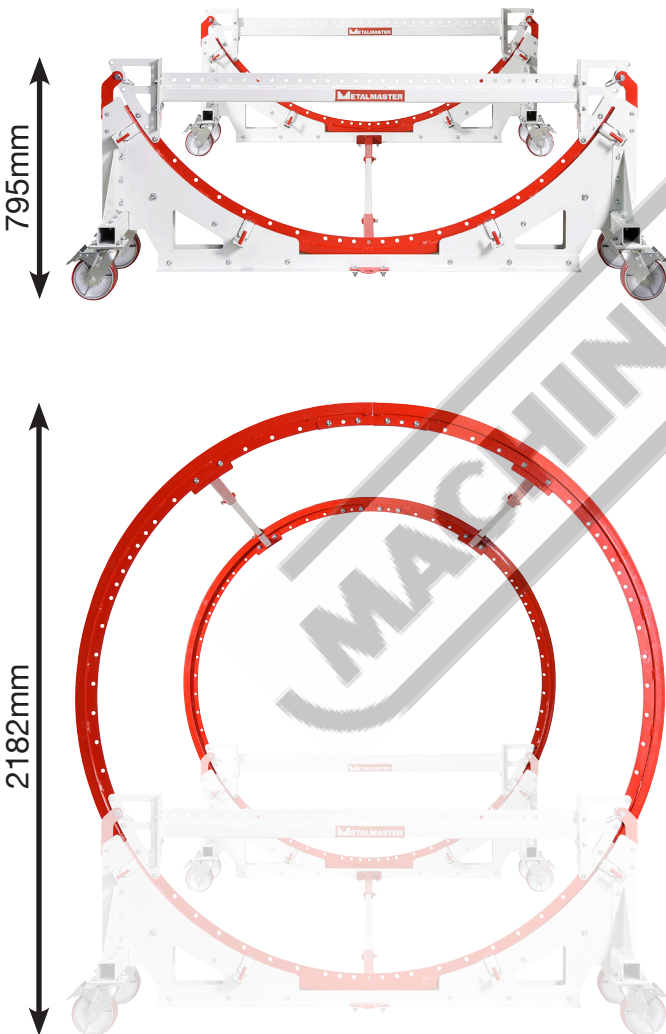



**Repeat STEP 1 - 8** to assemble the other side.

# MODULAR DESIGN

## CONFIGURATION 1

**CONFIGURATION 1** provides the best access to vehicle without the Top 2 Ring Sections in the way while carrying out maintenance or while spray painting. NOTE: without the top 2 Ring Sections in place only 12 degrees of rotation is achievable. Only when attaching the Top 2 Ring Sections, 360 degrees of rotation is achievable.

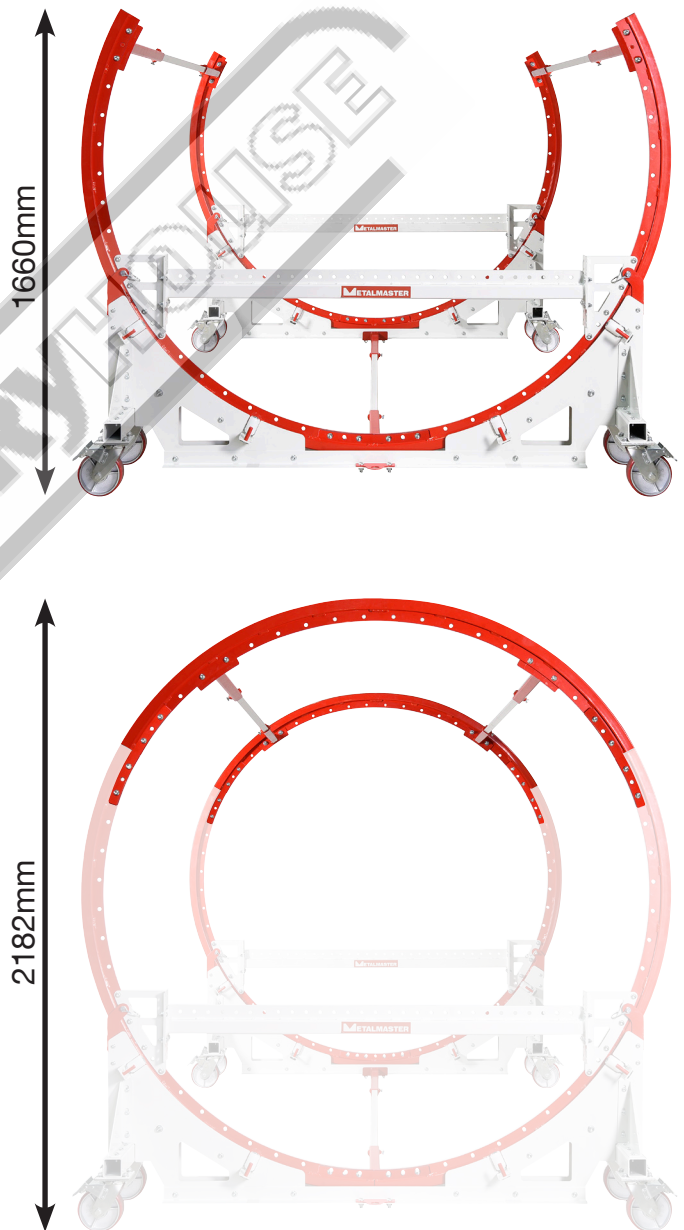


Uses: 4 x Ring Joiner Brackets 

To assemble in **CONFIGURATION 1**  
Go to page 16.

## CONFIGURATION 2

**CONFIGURATION 2** provides the best access for low ceiling height areas. NOTE: with only 2 Ring Sections in place, 30 degrees of rotation is achievable either side. Only when attaching the Top Ring Section, 360 degrees of rotation is achievable.

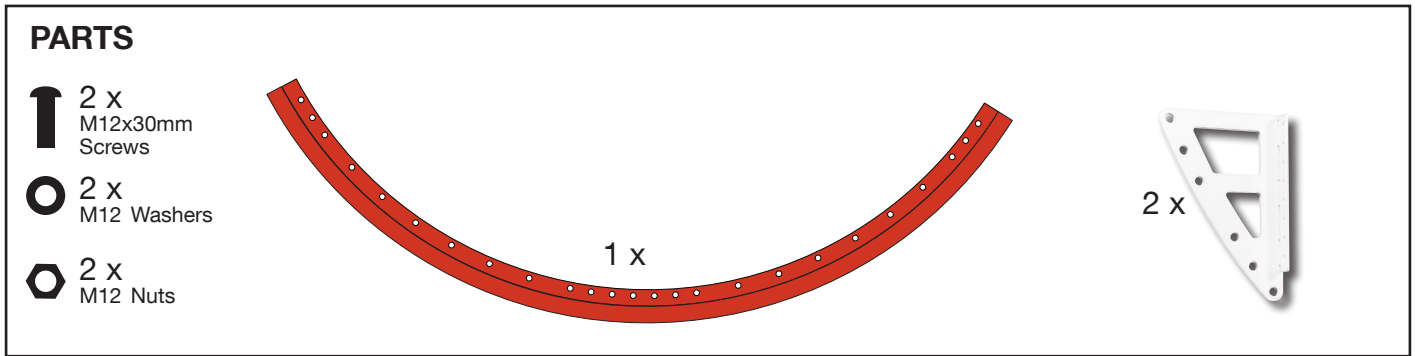


Uses: 12 x Ring Joiner Brackets 

To assemble in **CONFIGURATION 2**  
Go to page 20.

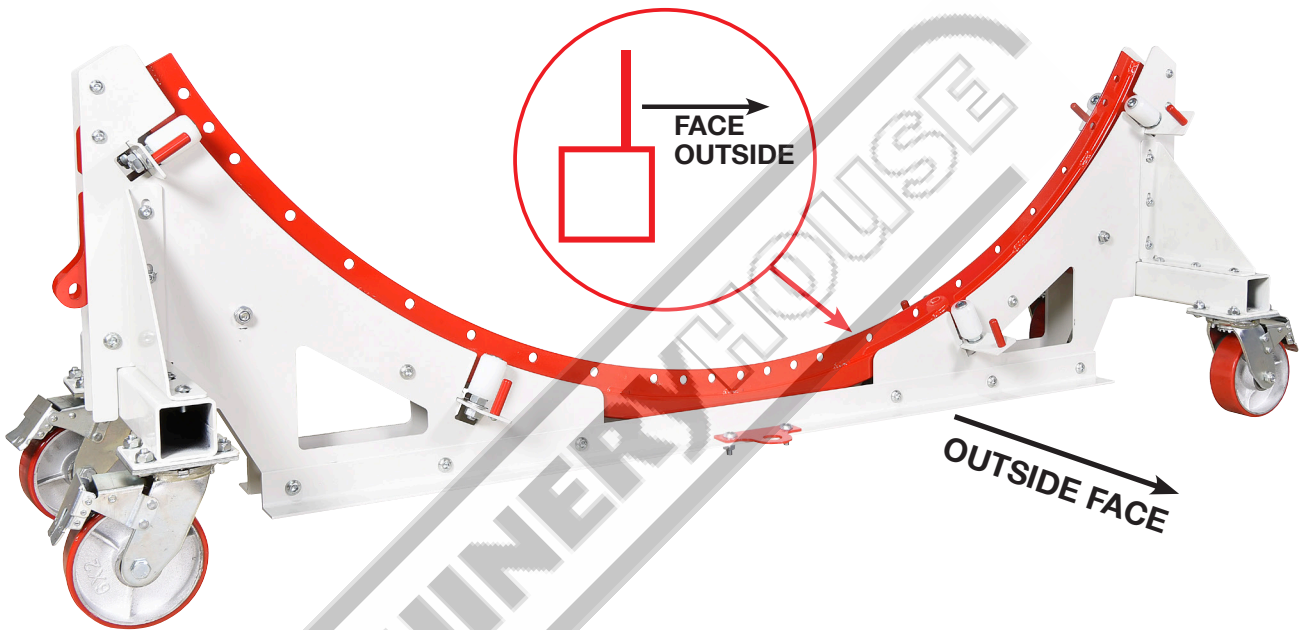
# CONFIGURATION 1

**STEP 9** Assemble the following parts as shown below.



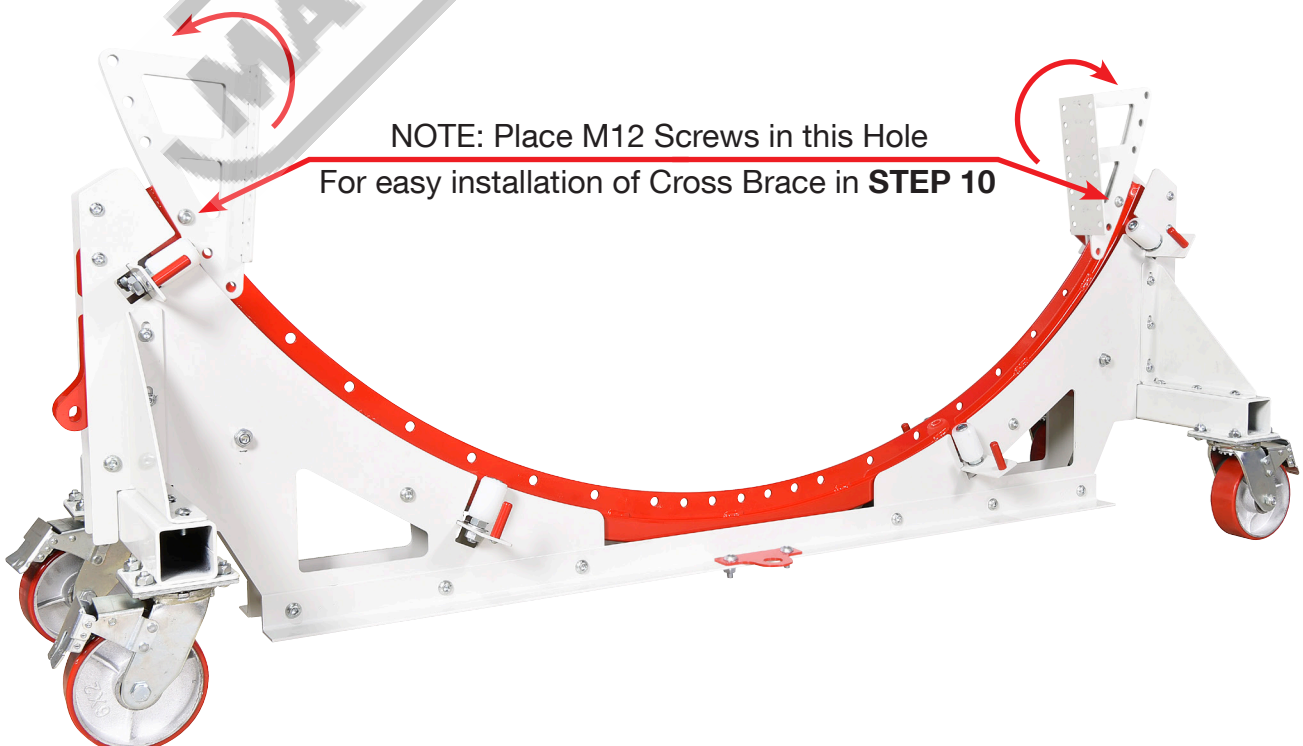
9.1, Install 1st Ring Section with welded plate facing outside Rotisserie as shown in **FIG. 17**.

**FIG. 17**





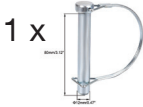





9.2, Install 2 x Cross Brace Support Brackets as shown in **FIG. 18**.

**FIG. 18**



# CONFIGURATION 1

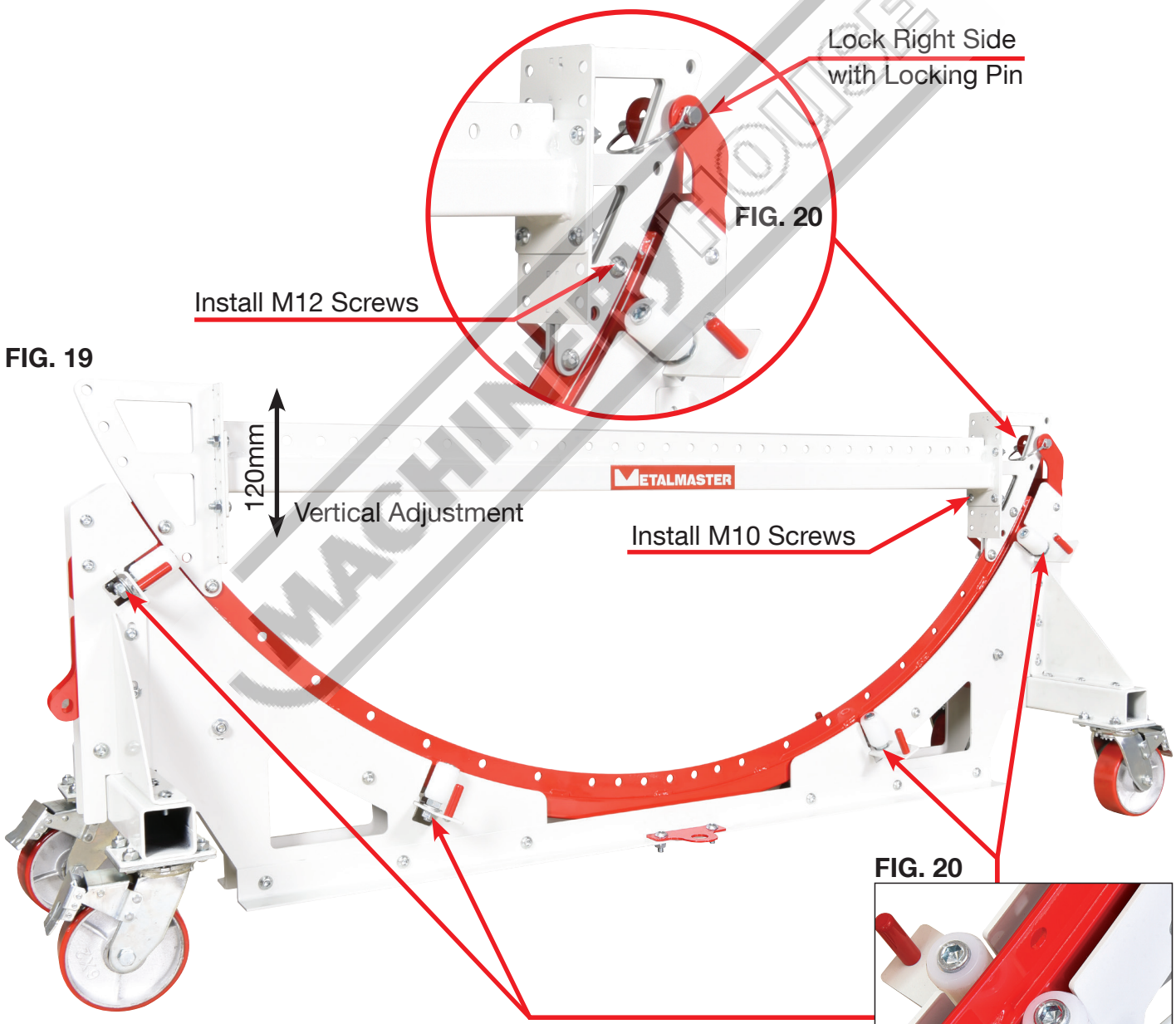
**STEP 10** Assemble the following parts as shown below.

PARTS		
 2 x M12x30mm Screws	 8 x M10x25mm Screws	 1 x
 2 x M12 Washers	 8 x M10 Washers	
 2 x M12 Nuts	 8 x M10 Nylock Nuts	 1 x

10.1, Install Cross Brace Mount at desired height using M10 Screws as shown in **FIG. 19**.

10.2, Lock right side Brace with Lock Pin as shown in **FIG. 20**.

10.2, Install remaining M12 Screws as shown in **FIG. 20**.



**FIG. 19**

**FIG. 20**


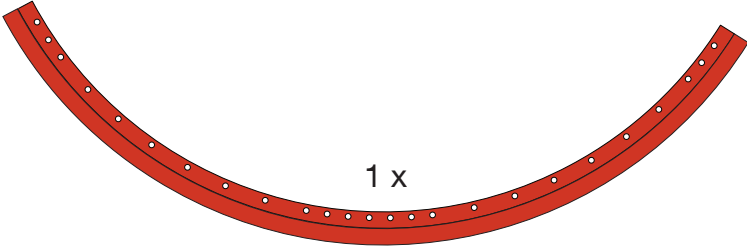



**FIG. 20**

10.3, Tighten up all 4 Side Rollers in Slots to take out any sideward movement but still allowing the 2 Side Rollers and Ring Section to spin freely as shown in **FIG. 20**.

Tighten all 4  
Rollers in Slots

# CONFIGURATION 1

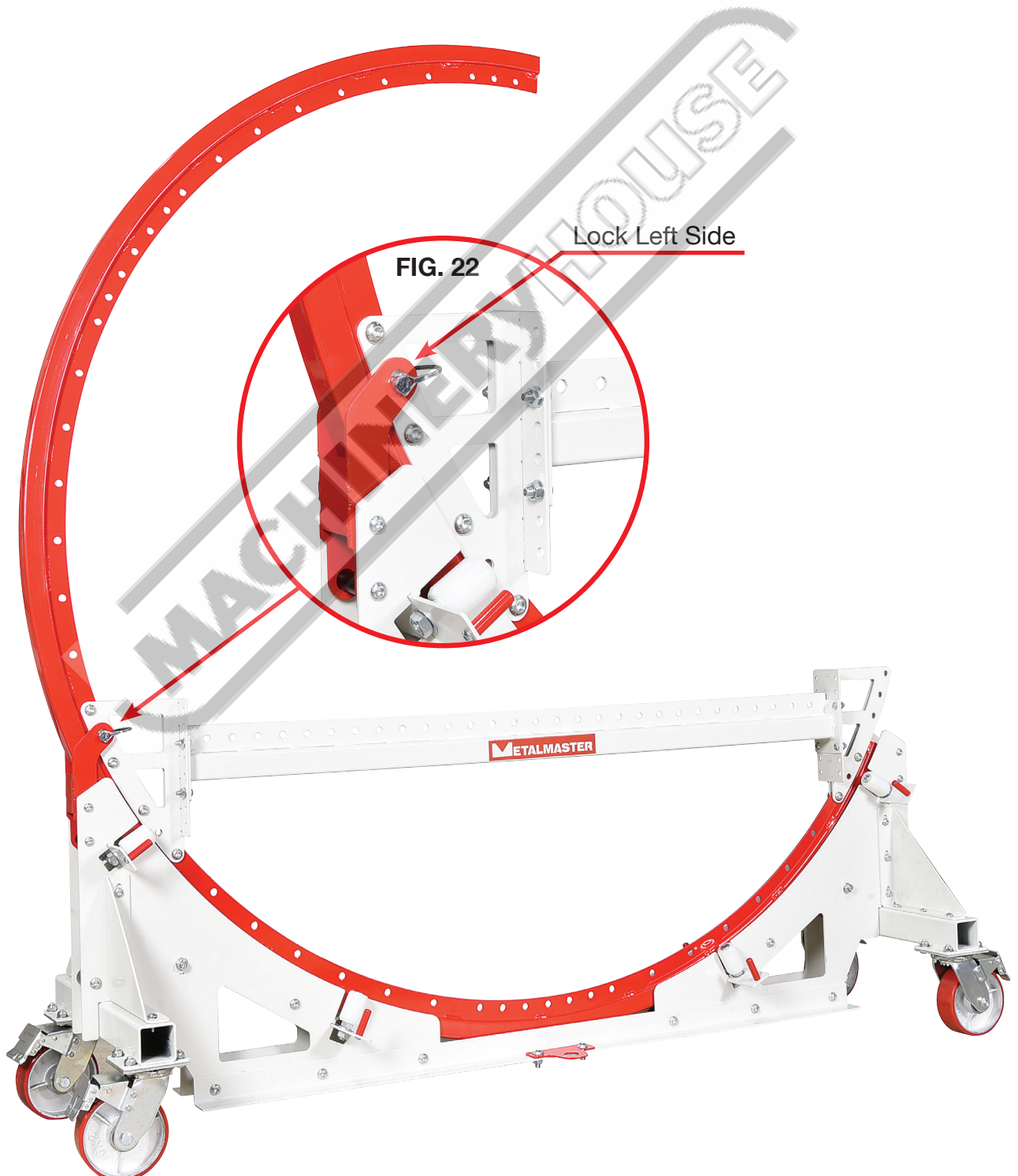
**STEP 11** Assemble the following parts as shown below.

PARTS	
 2 x M12x30mm Screws	 1 x
 2 x M12 Washers	
 2 x M12 Nuts	
	 1 x

11.1, Install 2nd Ring Section as shown in **FIG. 21**. Leave bolts loose for now.




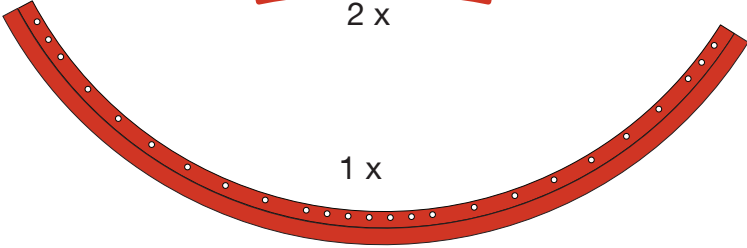

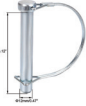
11.2, Lock Left side Brace with Lock Pin as shown in **FIG. 22**.

**FIG. 21**



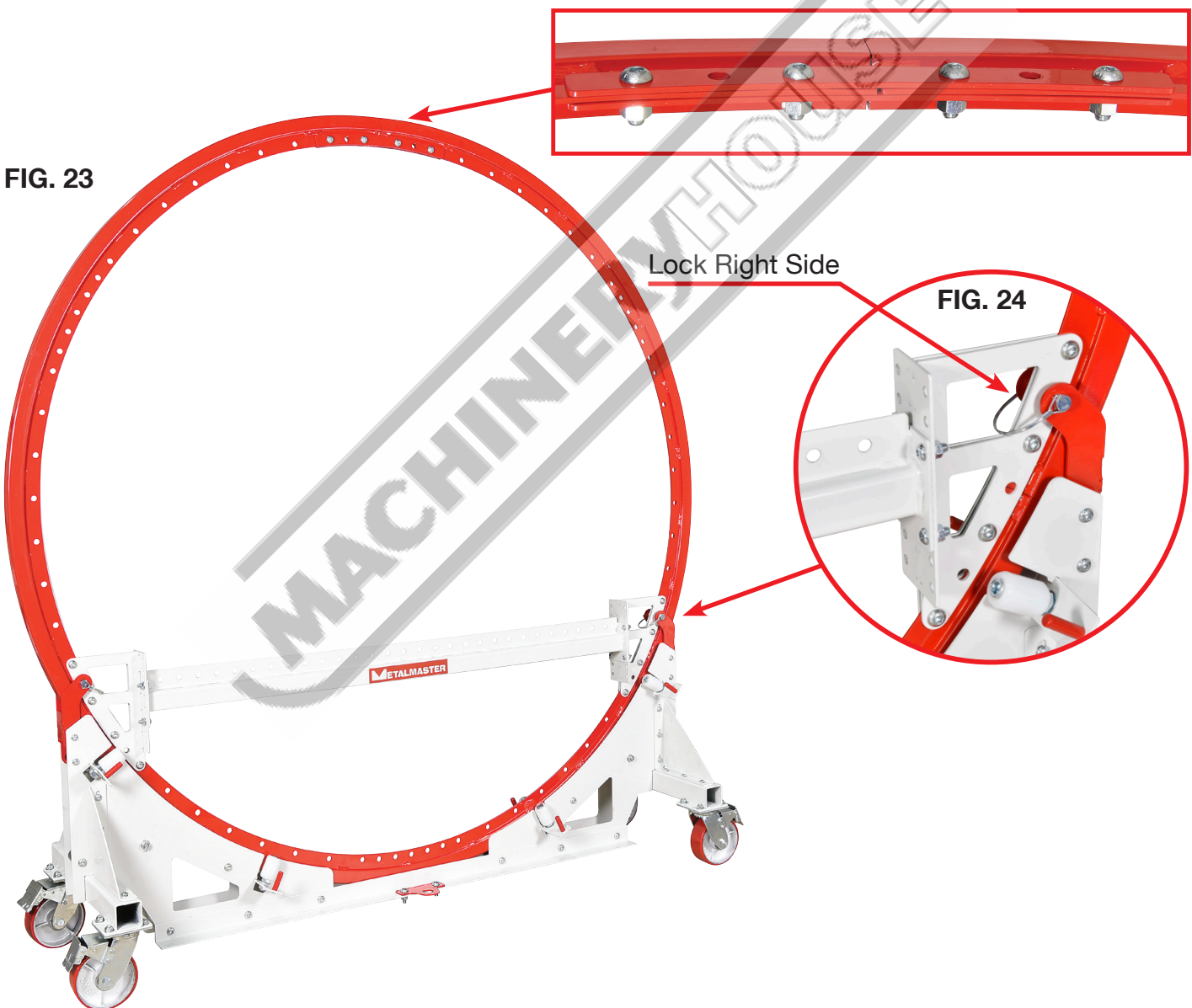
# CONFIGURATION 1

**STEP 12** Assemble the following parts as shown below.

PARTS	
 6 x M12x30mm Screws	 2 x
 6 x M12 Washers	 1 x
 6 x M12 Nuts	 1 x

12.1, Install 3rd Ring with 2 x Ring Joiner Brackets then tighten all Joins as shown in **FIG. 23**.

12.2, Lock Right side Brace with Lock Pin once the last Ring Section is bolted in place as shown in **FIG. 24**.



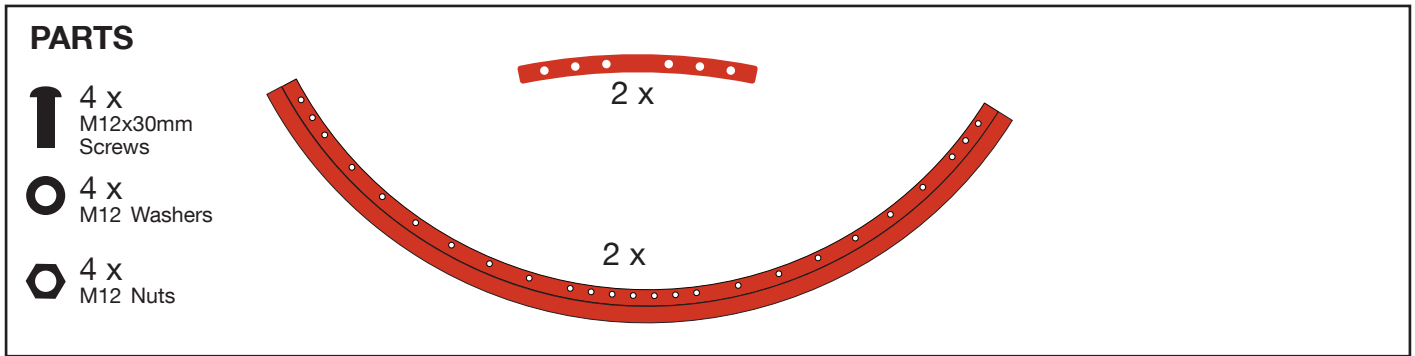
**Repeat STEP's 9 - 12** to assemble the other side.

**Go to page 24** to install Slider Brackets & Spacer Bars.



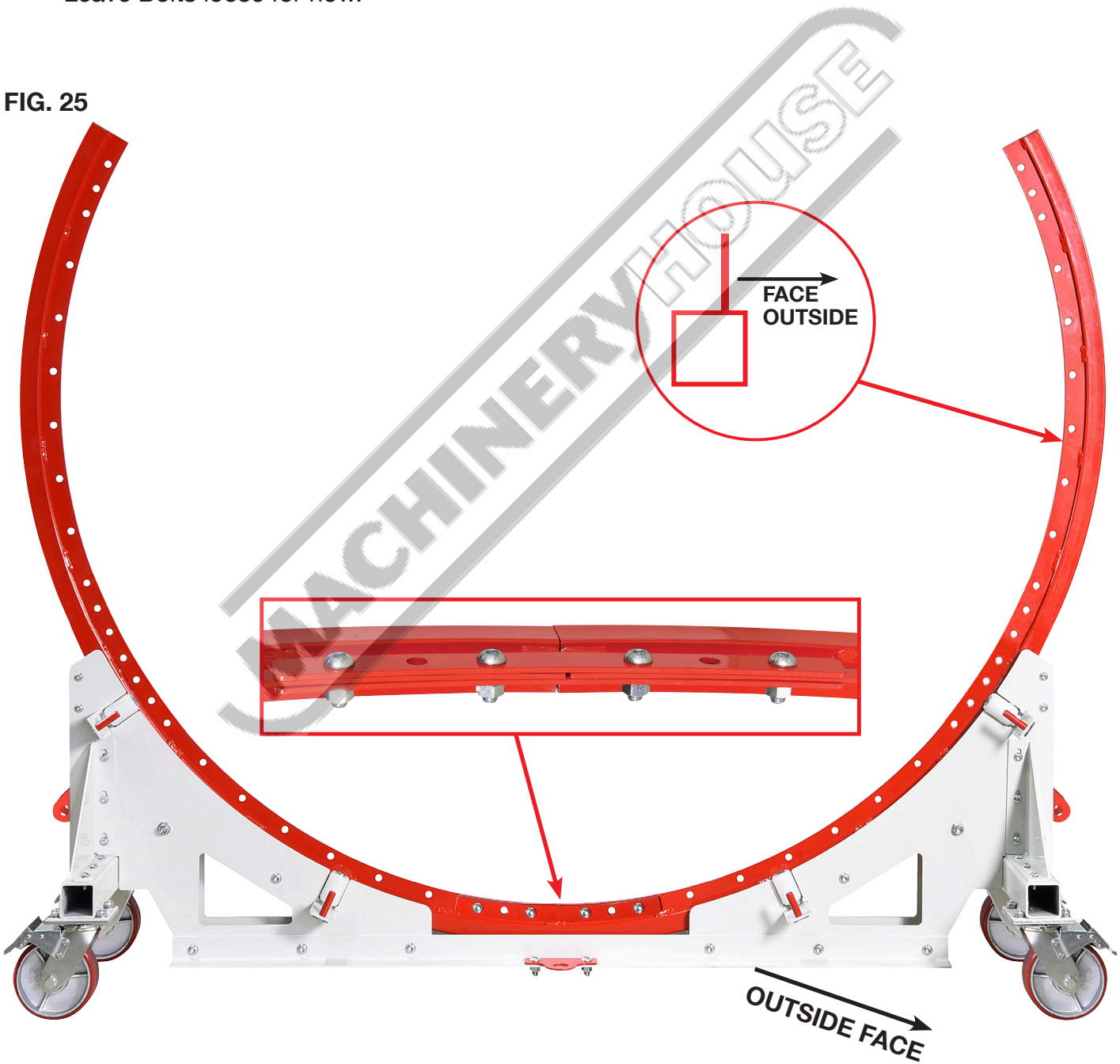
## CONFIGURATION 2

**STEP 9** Assemble the following parts as shown below.




9.1, Join 2 x Ring Sections together with 2 Ring Joiner Brackets as shown in **FIG. 25**. Leave Bolts loose for now.

**FIG. 25**



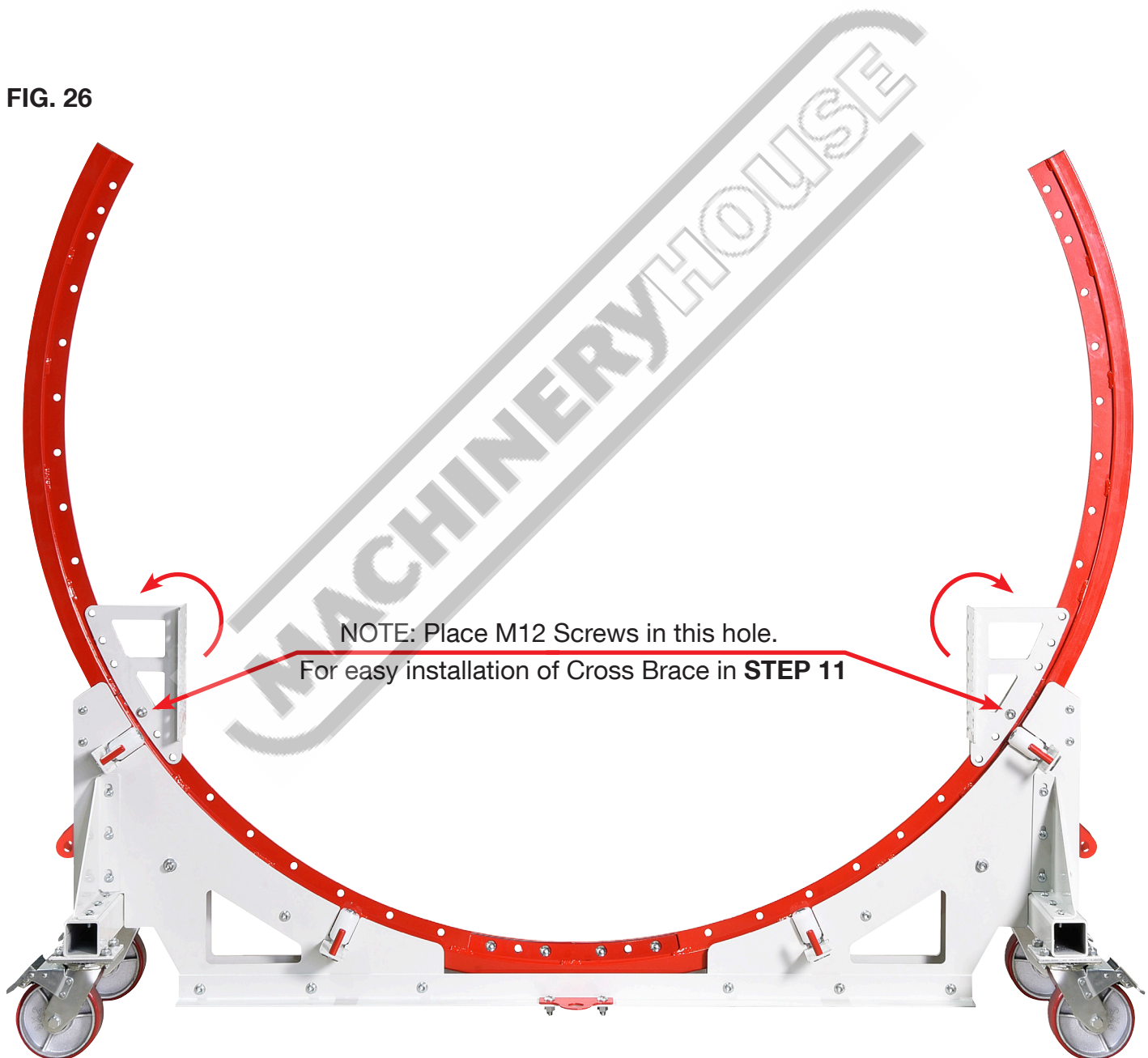
## CONFIGURATION 2

**STEP 10** Assemble the following parts as shown below.

PARTS	
 2 X M12x30mm Screws	 2 X
 2 X M12 Washers	
 2 X M12 Nuts	



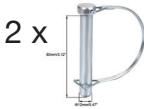




10.1, Install 2 x Cross Brace Support Brackets as shown in **FIG. 26**. Leave bolts loose for now.

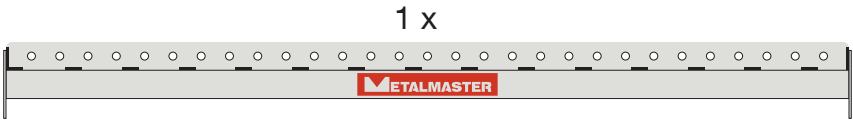
**FIG. 26**



# CONFIGURATION 2

**STEP 11** Assemble the following parts as shown below.

PARTS		
 6 x M12x30mm Screws	 8 x M10x25mm Screws	 2 x
 6 x M12 Washers	 8 x M10 Washers	
 6 x M12 Nuts	 8 x M10 Nylock Nuts	



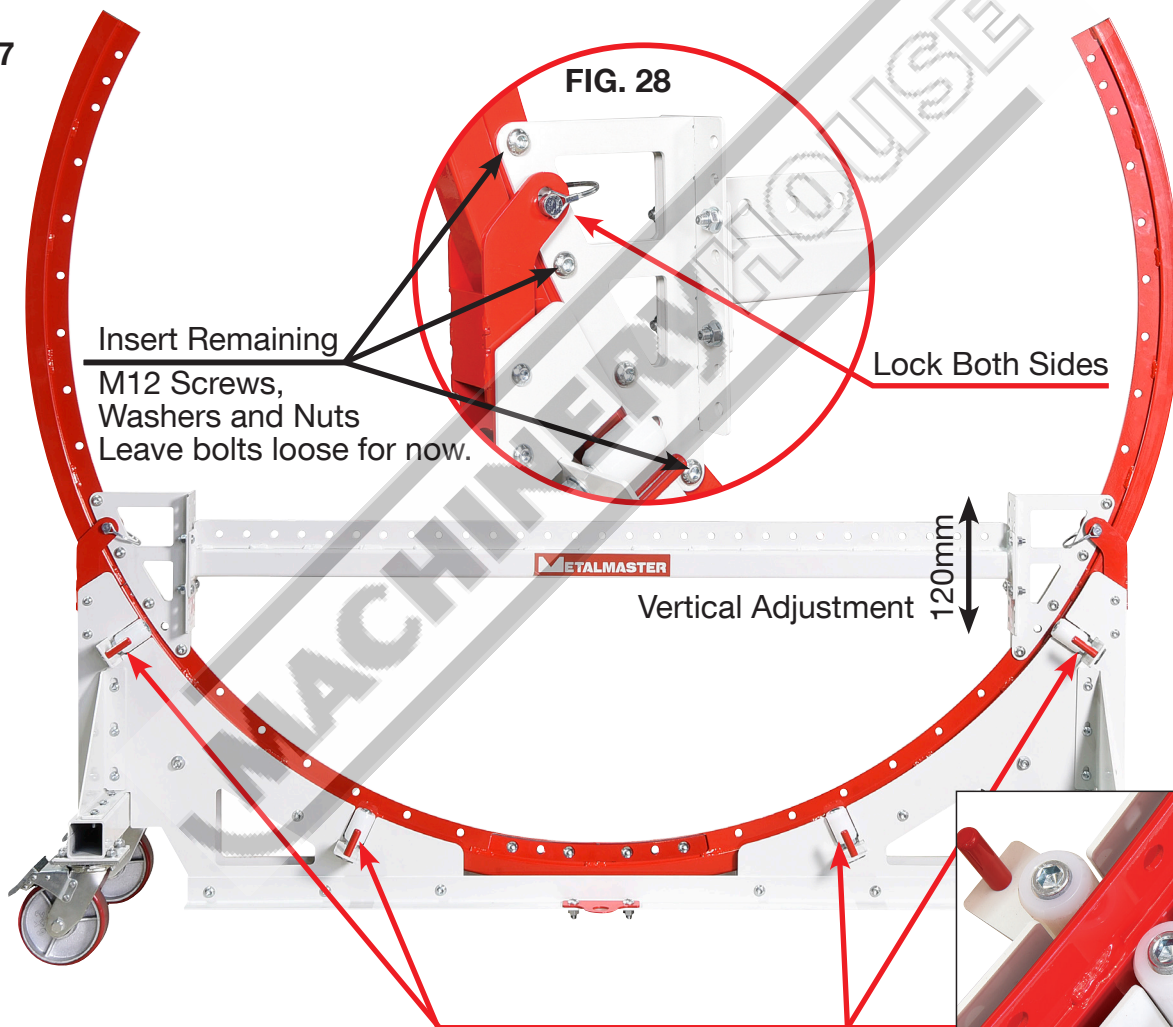
1 x

11.1, Install Cross Brace Mount at desired height as shown in **FIG. 27**.

11.2, Install remaining 6 x M12 Screws to the Cross Brace Support Bracket as shown in **FIG. 28**.

11.3, Lock both sides Braces with Lock Pins as shown in **FIG. 28**. Leave bolts loose for now.

**FIG. 27**



Insert Remaining  
M12 Screws,  
Washers and Nuts  
Leave bolts loose for now.

Lock Both Sides

Vertical Adjustment 120mm

**FIG. 29**



Tighten all 4  
Rollers in Slots

11.4, Tighten up all 4 Side Rollers in Slots to take out any sideward movement but still allowing the 2 Side Rollers and Ring Section to spin freely as shown in **FIG. 29**.

**Go to STEP 12** to install Top Ring Section.

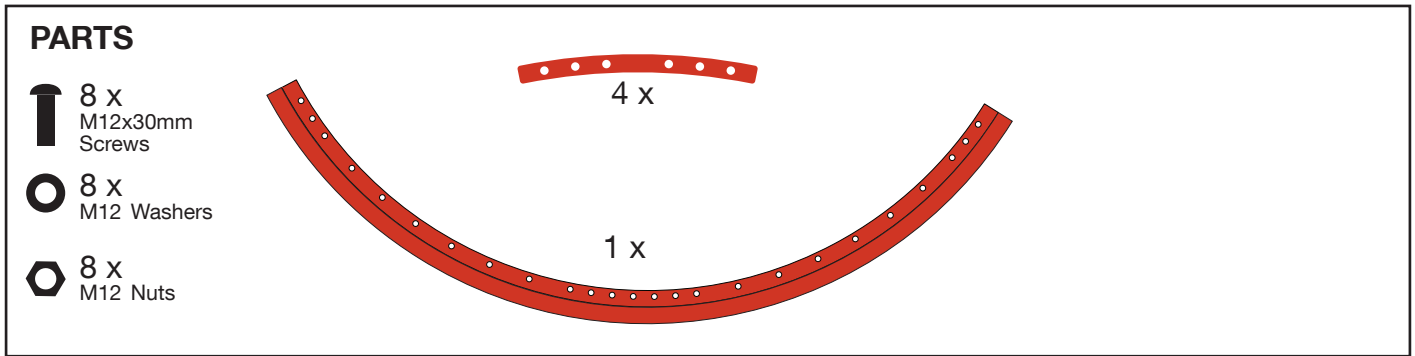


**or Go to page 24** to install Slider Brackets & Spacer Bars.



## CONFIGURATION 2

**STEP 12** Assemble the following parts as shown below.



12.1, Install 3rd Ring with 4 x Ring Joiner Brackets then tighten all Joins as shown in **FIG. 29**.

**FIG. 29**



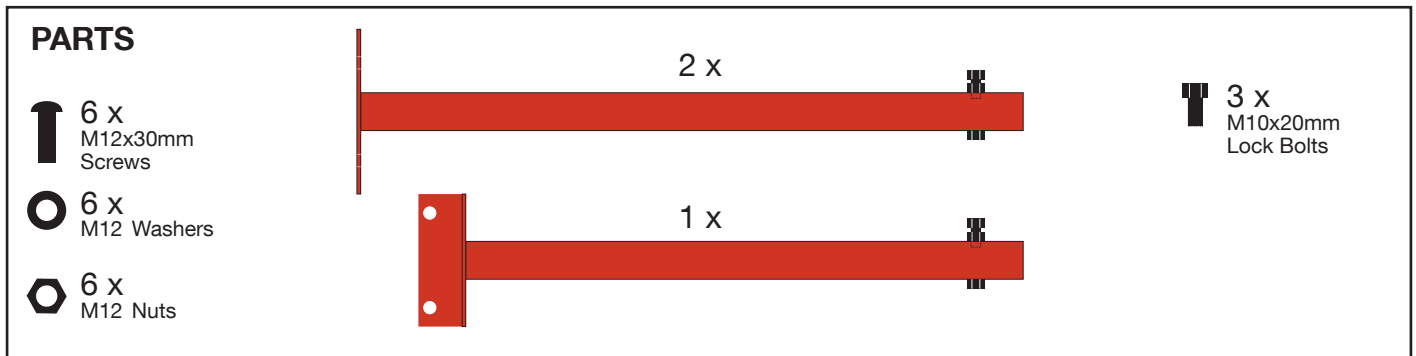
**Repeat STEP's 9 - 12** to assemble the other side.

**Go to page 24** to install Slider Spacer Brackets & Bars.



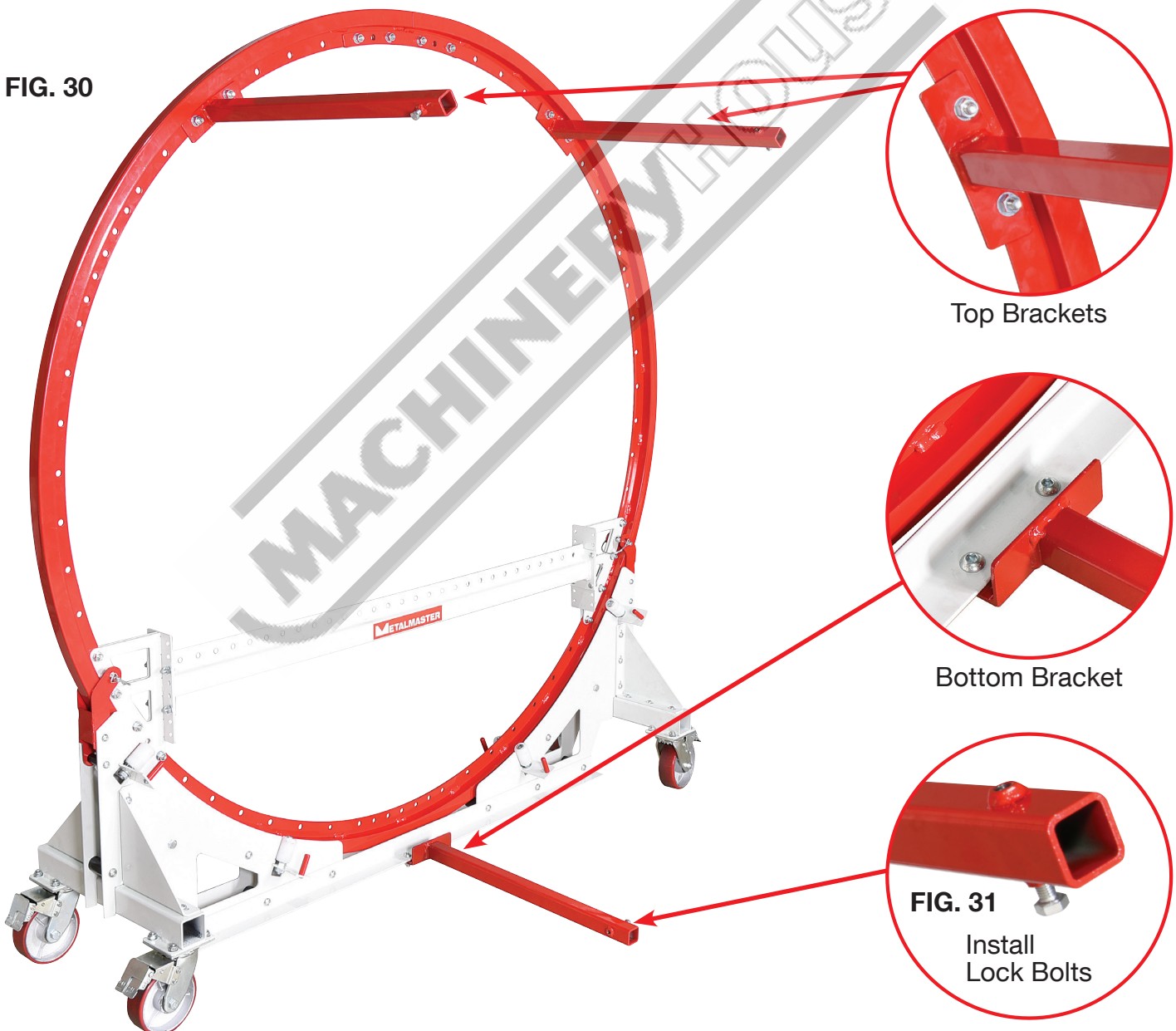
# INSTALLING SLIDER SPACERS

**STEP 1** Assemble the following parts as shown below.



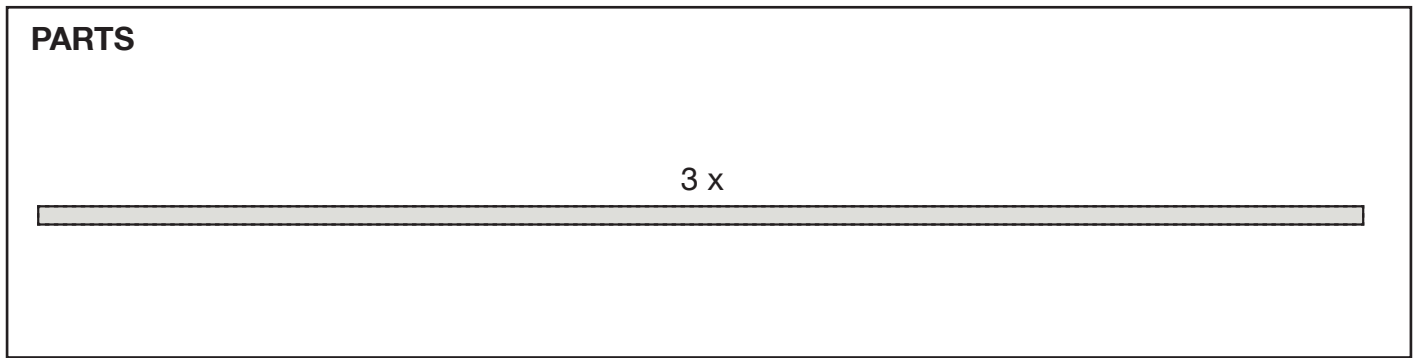
1.1, Install 2 x Top Slider Brackets & 1 Bottom Slider Bracket as shown in **FIG. 30**.

1.2, Install 1 x Lock Bolt per Slider Bracket as shown in **FIG. 31**.  
(Nuts are welded both sides for accessibility of locking either side)



**Repeat STEP 1** to other side.

## STEP 2 Assemble the following parts as shown below.

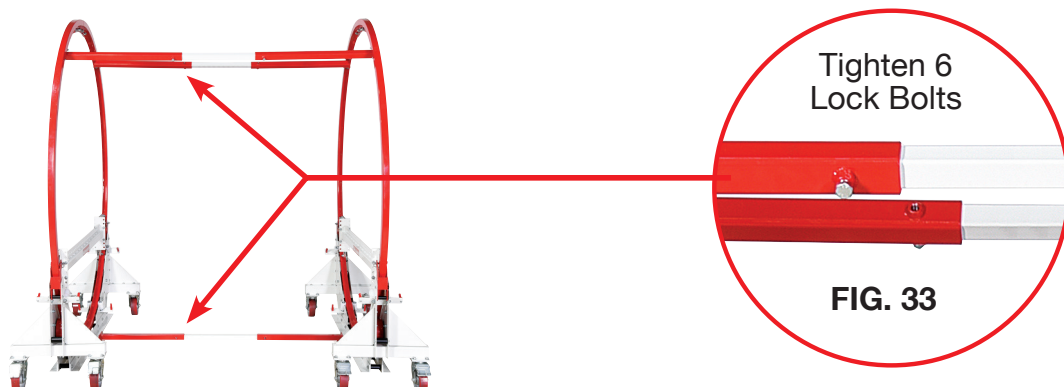
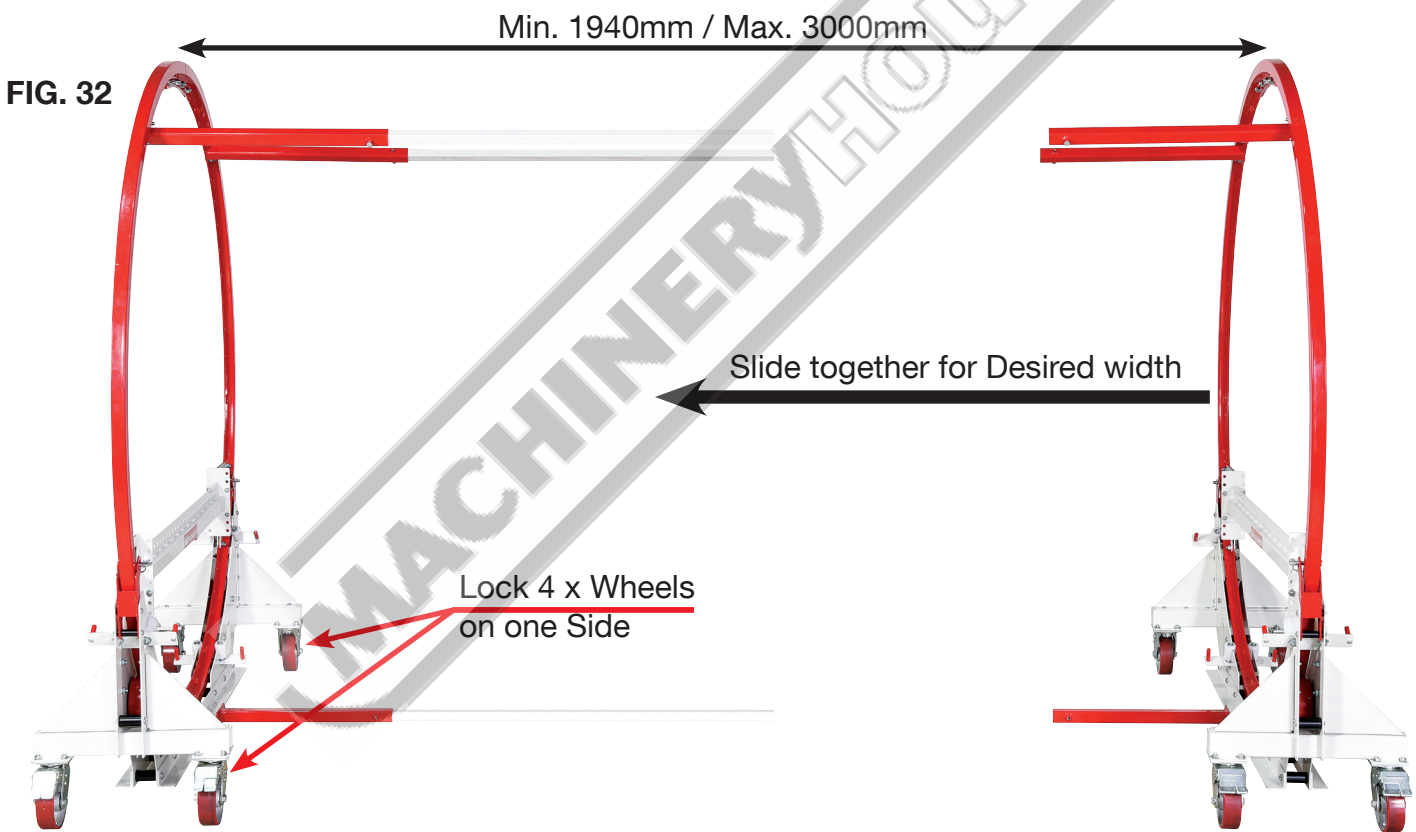


2.1, Lock 4 x Swivel Wheels on one side as shown in **FIG. 32**.

2.2, Install 3 x Slider Spacer Bars & Tighten 3 x Lock Bolts as shown in **FIG. 32**.

2.3, Move the other side of Rotisserie onto the Slider Spacer Bars at desired width. (Use a Tape Measure to check all spacers are equal before locking)

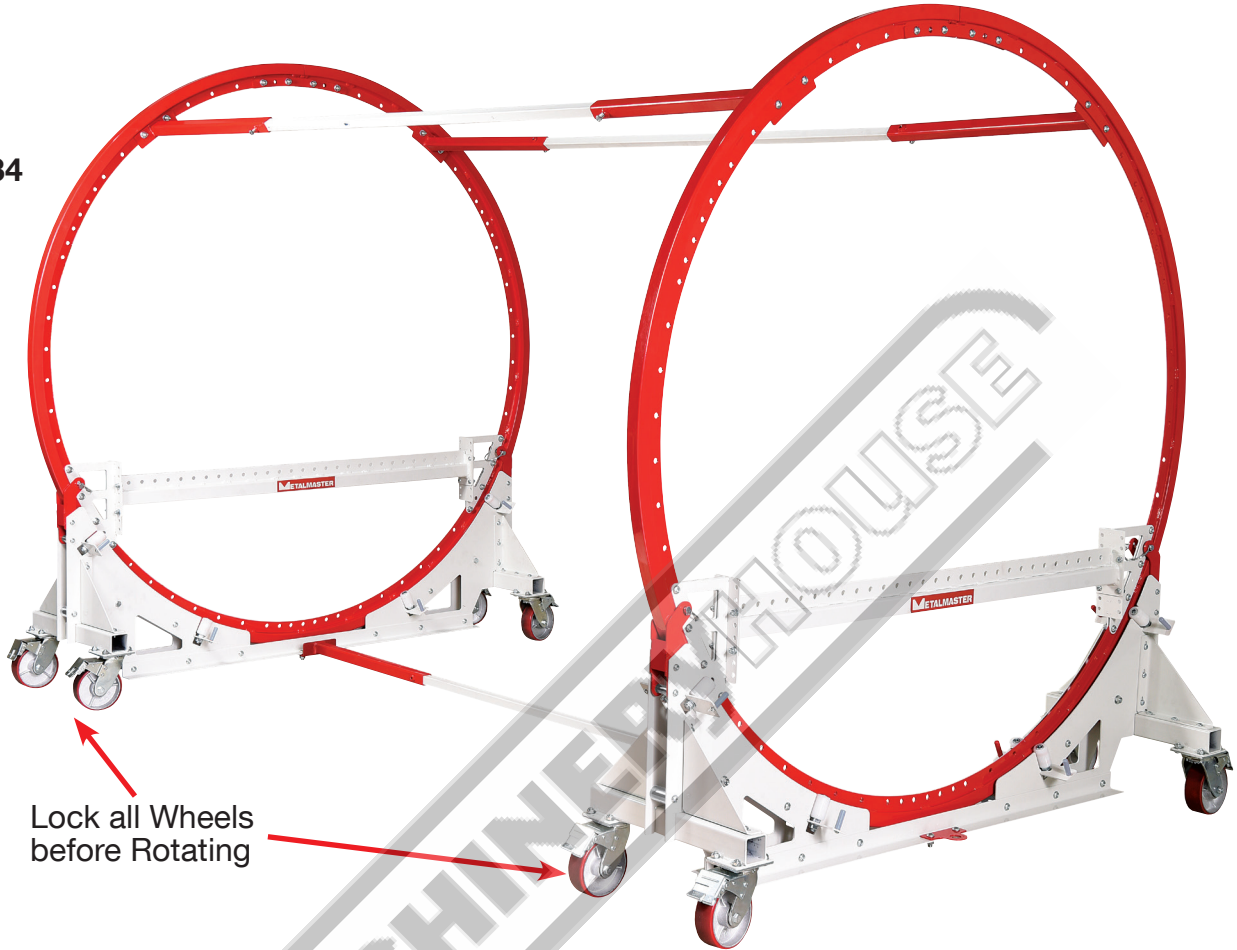
2.3, Lock all Lock Bolts to secure at desired width as shown in **FIG. 33**.



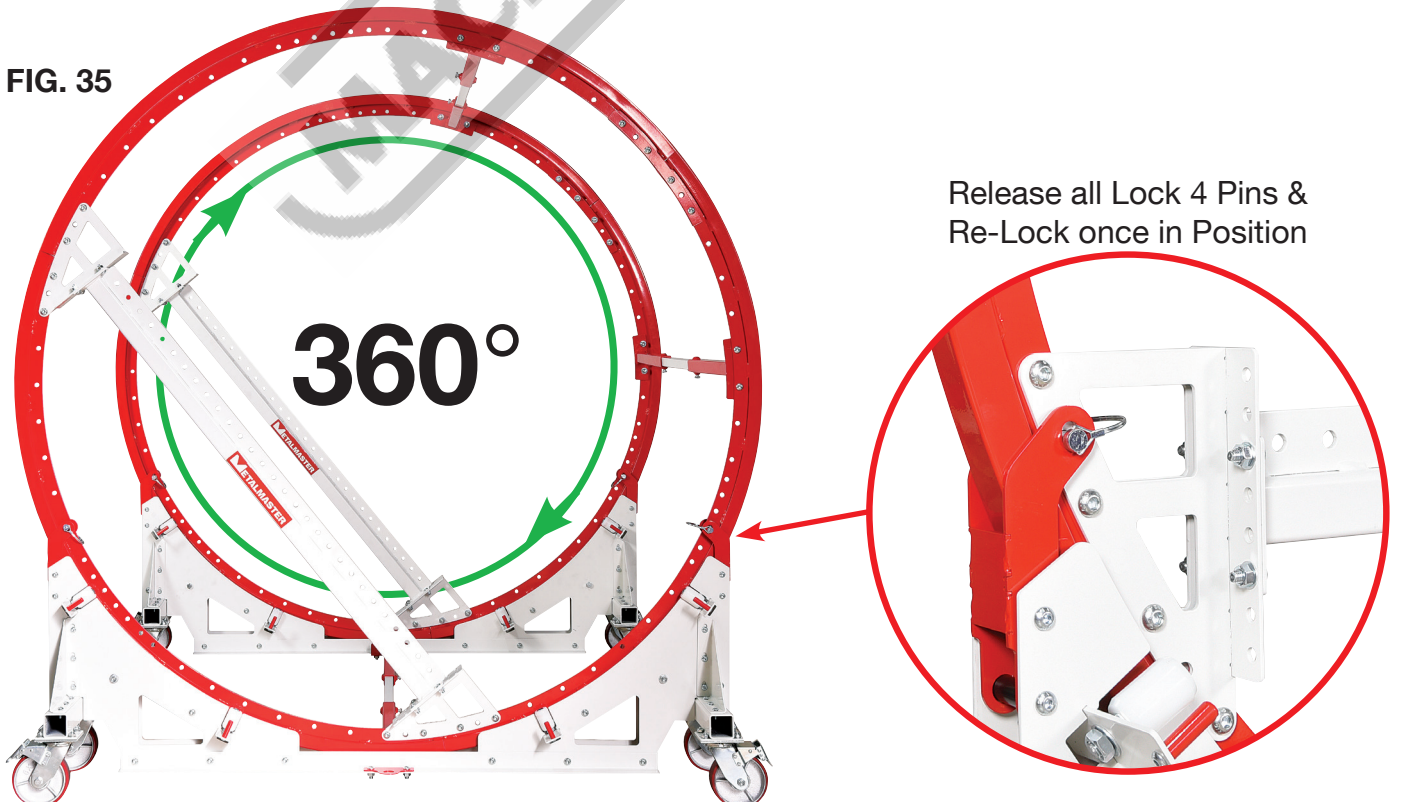
# ROTATING OPERATION

- 1.0, Lock all 8 Brake Wheels before rotating so the Rotisserie does not move around while Rotating. Always have the 3 x Slider Spacer Bars locked before rotating as shown in **FIG. 34**.
- 1.1, Release all 4 x Lock Pins, Rotate to desired angle then Re-Lock all 4 x Lock Pins once at desired angle as shown in **FIG. 35**.

**FIG. 34**



**FIG. 35**



# STORAGE CONFIGURATION

1.1, Place Ring Sections in the storage bays when not in use as shown in **FIG. 36**.

**FIG. 36**



MACHINERYHOUSE

# WARNING

## General Machinery Safety Instructions

---

Machinery House  
requires you to read this entire Manual before using this machine.

- 1. Read the entire Manual before starting machinery.** Machinery may cause serious injury if not correctly used.
- 2. Always use correct hearing protection when operating machinery.** Machinery noise may cause permanent hearing damage.
- 3. Machinery must never be used when tired, or under the influence of drugs or alcohol.** When running machinery you must be alert at all times.
- 4. Wear correct Clothing.** At all times remove all loose clothing, necklaces, rings, jewelry, etc. Long hair must be contained in a hair net. Non-slip protective footwear must be worn.
- 5. Always wear correct respirators around fumes or dust when operating machinery.** Machinery fumes & dust can cause serious respiratory illness. Dust extractors must be used where applicable.
- 6. Always wear correct safety glasses.** When machining you must use the correct eye protection to prevent injuring your eyes.
- 7. Keep work clean and make sure you have good lighting.** Cluttered and dark shadows may cause accidents.
- 8. Personnel must be properly trained or well supervised when operating machinery.** Make sure you have clear and safe understanding of the machine you are operating.
- 9. Keep children and visitors away.** Make sure children and visitors are at a safe distance for you work area.
- 10. Keep your workshop childproof.** Use padlocks, Turn off master power switches and remove start switch keys.
- 11. Never leave machine unattended.** Turn power off and wait till machine has come to a complete stop before leaving the machine unattended.
- 12. Make a safe working environment.** Do not use machine in a damp, wet area, or where flammable or noxious fumes may exist.
- 13. Disconnect main power before service machine.** Make sure power switch is in the off position before re-connecting.
- 14. Use correct amperage extension cords.** Undersized extension cords overheat and lose power. Replace extension cords if they become damaged.
- 15. Keep machine well maintained.** Keep blades sharp and clean for best and safest performance. Follow instructions when lubricating and changing accessories.
- 16. Keep machine well guarded.** Make sure guards on machine are in place and are all working correctly.
- 17. Do not overreach.** Keep proper footing and balance at all times.
- 18. Secure workpiece.** Use clamps or a vice to hold the workpiece where practical. Keeping the workpiece secure will free up your hand to operate the machine and will protect hand from injury.
- 19. Check machine over before operating.** Check machine for damaged parts, loose bolts, Keys and wrenches left on machine and any other conditions that may effect the machines operation. Repair and replace damaged parts.
- 20. Use recommended accessories.** Refer to instruction manual or ask correct service officer when using accessories. The use of improper accessories may cause the risk of injury.
- 21. Do not force machinery.** Work at the speed and capacity at which the machine or accessory was designed.
- 22. Use correct lifting practice.** Always use the correct lifting methods when using machinery. Incorrect lifting methods can cause serious injury.
- 23. Lock mobile bases.** Make sure any mobile bases are locked before using machine.
- 24. Allergic reactions.** Certain metal shavings and cutting fluids may cause an allergic reaction in people and animals, especially when cutting as the fumes can be inhaled. Make sure you know what type of metal and cutting fluid you will be exposed to and how to avoid contamination.
- 25. Call for help.** If at any time you experience difficulties, stop the machine and call you nearest branch service department for help.

# WARNING

## Rotisserie Safety Instructions

---

Machinery House  
requires you to read this entire Manual before using this machine.

- 1. Application.** The Rotisserie is designed for rotating vehicle body shells for restoration work. Other various industries may use this Rotisserie.
- 2. Load Requirement.** Refer to your vehicle service manual to verify that the vehicle weight does not exceed the maximum Rotisserie load rating. Do not over load the Rotisserie capacity.
- 3. Attaching Vehicles or Loads.** Refer to your Instruction manual to verify that the vehicle weight does not exceed the maximum Rotisserie load rating of 1500kg. Total Rotisserie capacity is 1500kg (750kg each Side). Mounting points must not be any less than 400mm apart as it will put too much load in the centre cross brace and exceed the recommended capacity. Always seek professional help when attaching vehicles bodies or objects to the Cross Brace Mounts. Serious injury can occur if not installed in the correct manner. Owner takes full responsibility if attached any vehicle body or object to the Rotisserie.
- 4. Condition.** The Rotisserie must be maintained for a proper working condition. Never operate a Rotisserie that has damaged or worn parts. Scheduled routine maintenance should be performed on a scheduled basis. Check frame, welds and for cracks or damage. Replace if necessary.
- 5. Crushing Hazard.** Never place any part of your body under the Rotisserie, or under a attached load. Always mount the vehicle at the appropriate mounting points and seek professional advice to help when attaching the vehicle to the support brace of the Rotisserie. Never move the Rotisserie without all 4 lock pins in place. Otherwise serious injury can occur.
- 6. Work area hazards.** Pay attention to other persons in the area and know what is going on around the area to ensure unintended accidents.
- 7. Vehicle Size Limit.** Do not attached over sized vehicles that don't fit inside the Rotisserie. Serious injury can occur or damage to vehicle and rotisserie.
- 8. Warning Labels.** Take note of any warning labels on the Rotisserie and do not remove them.
- 9. Locking Pins.** Before using or moving the rotisserie ensure that all 4 locking pins are in place. Serious injury can occur if the rotisserie rotates when not intended.
- 10. Rotating Rotisserie.** Before Rotating the Rotisserie ensure the Slider Spacer Bars are the same distance apart & all locked in place. The Rotisserie will only rotate if both sides are parallel to each other and equal distance apart. You may damage the Rotisserie If Slider Bars are not aligned and balanced correctly. Place all Locking Pins back in once at correct angle.
- 11. Moving Vehicle.** The Rotisserie is designed for manually moving the vehicle by hand only. Only operate Rotisseries if you are strong enough to control and stop it when it is moving, call for more people to help if needed. Once in place lock all 8 wheel brakes.
- 12. Safe Level Surface.** Only use this Rotisserie on a hard level surface capable of sustaining the combined load. Avoid using the Rotisserie on inclines or ramps that will cause a loss of control.
- 13. Safe Operation.** Load must be centred in the Rotisserie when attaching, Seek professional help when installing and attaching vehicle or any loads to the Cross Brace Mounts. Before removing or installing your vehicle body, always apply the wheel brakes of the Rotisserie. Only move the Rotisserie with the 4 lock pins in place and all Slider Spacer Bars locked in place to prevent the Rotisserie from tipping, Rotating or coming apart.
- 14. Pinching.** Prevent pinching - never place hands or body parts between the moving parts of the Rotisserie while moving or rotating. Always make sure the 4 lock pins are in place at all times apart from when rotating the rotisserie.
- 15. Do not Modify the Rotisserie.** Never modify this Rotisserie from its intended use.
- 16. Storage.** Always make sure the Rotisserie is out of the way of human traffic and make sure all wheel brakes are on.
- 17. Other Hazards.** Never allow children to play on Rotisserie while in use or in storage.
- 18. Call for help.** If at any time you experience difficulties, stop and call you nearest branch service department for help.

# PLANT SAFETY PROGRAM

## NEW MACHINERY HAZARD IDENTIFICATION, ASSESSMENT & CONTROL

### Rotisserie

Developed in Co-operation Between A.W.I.S.A and Australia Chamber of Manufactures  
This program is based upon the Safe Work Australia, Code of Practice - Managing Risks of Plant in the Workplace ( WHSA 2011 No10 )



Item No.	Hazard Identification	Hazard Assessment	Risk Control Strategies (Recommended for Purchase / Buyer / User)
B	CRUSHING	HIGH	Ensure Rotisserie is on level solid ground. Seek professional help when attaching the vehicle to the mounting Brace. Ensure the vehicle is centred to the Rotisserie rings when mounting and balanced. Do not exceed maximum load capacity & minimum mounting point distance of 400mm. Wear safety boots. Always check around rotisserie before moving or rotating. Ensure all 4 Safety Lock Pins are in place at all times when using the Rotisserie. Keep body clear from under the vehicle.
D	SHEARING	MEDIUM	Keep body parts clear between moving components of the Rotisserie when rotating.
J	SLIPPING, TRIPPING, & FALLING	LOW	Avoid uneven or slippery surfaces when moving Rotisserie under load.
Plant Safety Program to be read in conjunction with manufactures instructions			



[www.machineryhouse.com.au](http://www.machineryhouse.com.au)



[www.machineryhouse.co.nz](http://www.machineryhouse.co.nz)

Authorised and signed by:   
 Safety officer: .....  
 Manager:  .....

Revised Date: 7th August 2023

MACHINERYHOUSE

DISTRIBUTED BY

**HARE & FORBES** **MACHINERYHOUSE**

SYDNEY BRISBANE MELBOURNE PERTH  
[www.machineryhouse.com.au](http://www.machineryhouse.com.au)

**MACHINERYHOUSE**

AUCKLAND CHRISTCHURCH  
[www.machineryhouse.co.nz](http://www.machineryhouse.co.nz)